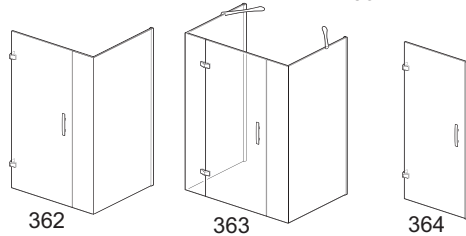
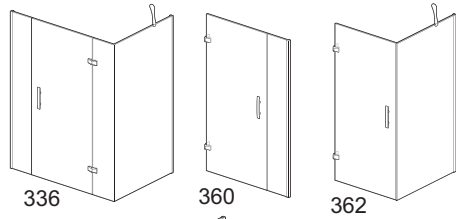
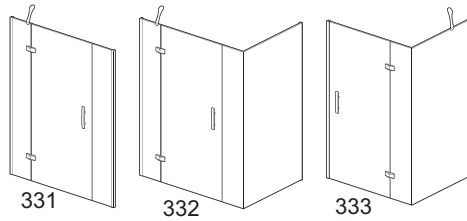
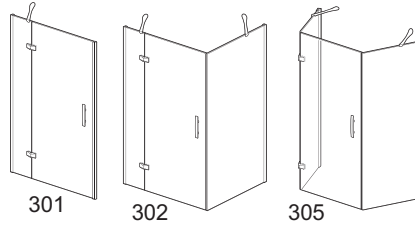
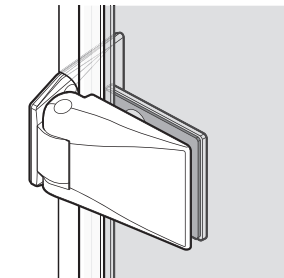
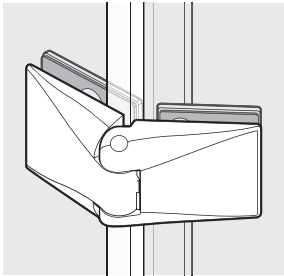
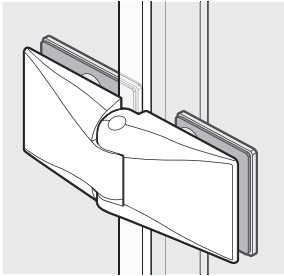


Minima Hinged Enclosures

These instructions cover the following units. Please read and ensure all steps have been followed, as this will generally resolve any installation issues



These instructions must be left with the user

Installation Guide

THE BOLD LOOK
OF **KOHLER**®

CONTENTS

There are many options within the Minima Range and these instructions give a step by step procedure for fitting all units. Each section covers all enclosures unless otherwise stated.

Tip: Look for the small drawings of the enclosures to identify your unit in each section.

Introduction	Page 3
General Information	Page 3
Guarentee	Page 4
Tools Required	Page 4
Pack Contents	Page 5
Section 1 - Positioning the wall channels	Page 8
Section 2 - Fitting the wall channels	Page 13
Section 3 - Fitting the channel guides	Page 14
Section 4 - Fitting panels	Page 23
Section 5 - Checking door gaps	Page 25
Section 6 - Fitting bracing bars	Page 29
Section 7 - Fitting the door	Page 31
Section 8 - Fitting the closing door seal	Page 35
Section 9 - Finishing off	Page 37
Maintenance	Page 40

If your installation needs the hinges to be on opposite side of the enclosure to that shown in these instructions

All units with the exception of extended pentagons and enclosures with bonded panels are reversible. Doors and panels can be turned through 180° as required and fitting is a mirror image of those shown.

Extended pentagons and bonded panels are supplied handed and fitting is a mirror image of those shown.

INTRODUCTION

Thank you for purchasing a quality KOHLER® product. To enjoy the full potential of your new product, please take time to read this guide thoroughly, having done so, keep it handy for future reference.

The following pages aim to provide comprehensive installation instructions, plus advice on how to care and maintain your product.

We recommend that the unit is installed by a qualified plumber or engineer.

General

1. Read all of these instructions and retain this guide for later use.
2. Pass on this guide in the event of change of ownership of the installation site.
3. Follow all warnings, cautions and instructions contained in this guide.
4. Remove all protective tape from the enclosure before installation.

GENERAL INFORMATION

Safety Information

1. Care should be taken when drilling into walls and floors to avoid any hidden pipes or wires.
2. We strongly recommend that all glass panels are moved by a minimum of two people and that any protective packaging along the glass edges is kept in place for as long as possible to prevent damage before installation.
3. During installation we recommend additional help in lifting heavy doors and side panels.
4. Wear protective footwear when lifting panels.
5. Wear safety glasses when drilling.

Wall Preparation



The wall channels must be installed onto a tiled or waterproof finished flat and even wall surface. Failure to do so will result in an unsatisfactory seal, which may cause property damage.



Note! If being installed as part of an enclosure refer to the Side Panel Installation and User Guide.

GUARANTEE

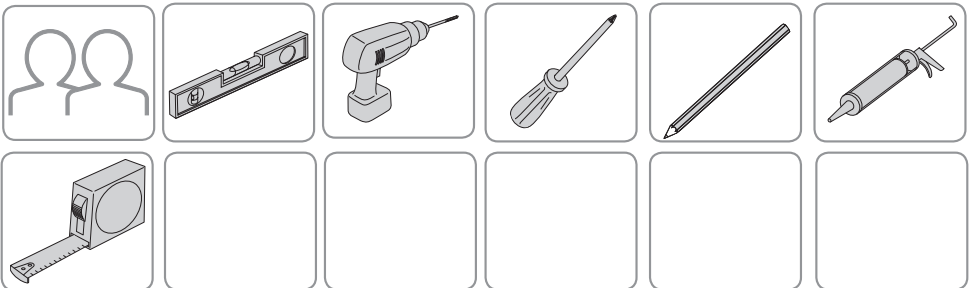
For **domestic installations**, your enclosure has the benefit of our lifetime guarantee which starts from date of purchase.

For **non-domestic installations**, we guarantee the product against any defect in materials or workmanship for a period of one year from the date of purchase.




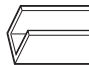






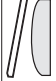

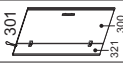
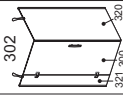
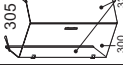
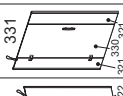
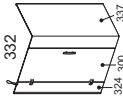
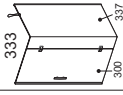
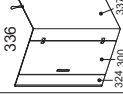
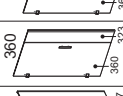
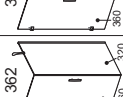
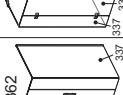
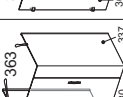

For terms and conditions refer to the back cover of this guide.







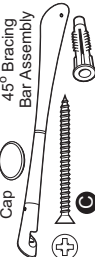
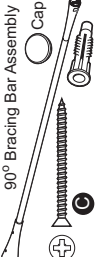



Recommended Usage	
Domestic	✓
Light Commercial	✓
Heavy Commercial	✗
Healthcare	✗


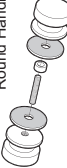










TOOLS REQUIRED



PACK CONTENTS

<p>● Included</p> <p>● Part used as a template only and is not installed ('+1' signifies extra components not needed for installation)</p>    <p>These items are delivered fitted together. Undo the allen screws to separate.</p>  <p>'U' Section Wall Channel (also used for marking position of wall mounted hinges)</p>  <p>Cover Strip</p>  <p>Door Seal (Closing side)</p>  <p>Door Seal (Closing & hinge side)</p>  <p>Door Seal (Closing side)</p>  <p>Door Seal (Closing & hinge side)</p>  <p>Door Seal (Hinge side and/or closing side)</p>  <p>Threshold</p>  <p>Threshold</p>		<p>● x2</p>			<p>●</p>	<p>● +1</p>	<p>●</p>	<p>●</p>	<p>●</p>	<p>● x2</p>	<p>●</p>	<p>●</p>
	<p>● x2</p>				<p>● +1</p>	<p>●</p>	<p>●</p>	<p>●</p>		<p>●</p>		
	<p>● x2</p>				<p>● +1</p>	<p>●</p>	<p>●</p>		<p>● x2</p>		<p>●</p>	
	<p>● x2</p>				<p>● +1</p>	<p>●</p>	<p>● x2</p>			<p>●</p>	<p>●</p>	
	<p>● x2</p>					<p>●</p>	<p>● x2</p>			<p>●</p>	<p>●</p>	
	<p>● x2</p>				<p>●</p>	<p>●</p>	<p>●</p>			<p>●</p>	<p>●</p>	
	<p>● x2</p>				<p>● +1</p>	<p>●</p>	<p>● x2</p>			<p>●</p>	<p>●</p>	
	<p>●</p>		<p>●</p>	<p>●</p>			<p>●</p>		<p>●</p>	<p>●</p>	<p>●</p>	
	<p>●</p>		<p>●</p>	<p>●</p>			<p>●</p>	<p>●</p>	<p>●</p>	<p>●</p>	<p>●</p>	
	<p>●</p>		<p>●</p>	<p>●</p>		<p>● +1</p>	<p>●</p>	<p>●</p>		<p>●</p>	<p>●</p>	
	<p>● x2</p>					<p>● +1</p>	<p>●</p>	<p>● x2</p>		<p>●</p>	<p>●</p>	
			<p>●</p>	<p>●</p>					<p>● x2</p>	<p>+1</p>	<p>●</p>	

<p>● Included ○ Option</p> <p>(*+1 signifies extra components not needed for installation)</p> 	301	302	305	331	332	333	336	360	362	362	363	364			
<p>Splashguard</p> 	●	●	●	●	●	●	●	●	●	●	●	●			
<p>180° Hinge Assembly</p> 	● x2	● x2	● x2	● x2	● x2	● x2	● x2	● x2	● x2	● x2	● x2	●			
<p>135° Hinge Assembly</p>  <p>Wall Mount Hinge Assembly</p>  <p>x2</p>  <p>x2</p>			● x2									● x2			
<p>45° Bracing Bar Assembly</p> 			● x2							● x2	● x2	● x2			
<p>90° Bracing Bar Assembly</p> 				<p>x1 with each hinge panel and inline panel 400mm wide or more x1 with side panel up to 1000mm x1 for bonded panel with hinges. x2 for 363 unit only. x2 with pentagon unit</p>											
<p>Top Cap (L/HRH)</p> 	● x2	● x2	● x2	● x2	● x2	● x2	● x2	● x2	● +1	● +1	● +1	● x2			
<p>Bottom Channel Plug</p> 	● +1	● x2	● x2	● x2	● x2	● +1	● x2	●	●	●	● x2	● x2			
<p>Channel Guide</p> 	● +1	● x2	● x2	● x2	● x2	● +1	● x2	●	●	●	● x2	● x2			

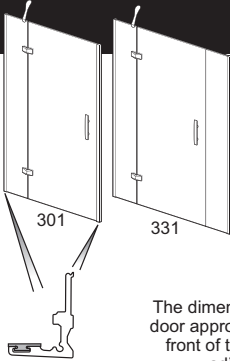
<p>● Included</p> <p>○ Option</p> <p>(*+1 signifies extra components not needed for installation)</p>	301	302	305	331	332	333	336	360	362	362	363	364
<p>Screw Cover</p> 	● x8	● x8	● x8	● x8	● x8	● x8	● x8	● x4	● x4	● x4	● x8	● x5
<p>Round Handle Assembly</p> 	○	○	○	○	○	○	○	○	○	○	○	○
<p>Oblique Handle Assembly</p> 	○	○	○	○	○	○	○	○	○	○	○	○
<p>Bow Handle Assembly</p> 	●	●	●	●	●	●	●	●	●	●	●	●
<p>Allen Keys</p> <p>4mm</p> <p>3mm</p> <p>2.5mm</p> 	●	●	●	●	●	●	●	●	●	●	●	●
<p>3mm</p> 	●	●	●	●	●	●	●	●	●	●	●	●
<p>●</p> 	● x6	● x6	● x6	● x6	● x6	● x6	● x6	● x3	● x3	● x3	● x6	● x5
<p>●</p> 	● +1	● x2	● x2	● x2	● x2	● +1	● x2	●	●	●	● x2	●
<p>●</p> 	● x2	● x2	● x2	● x2	● x2	● x2	● x2	●	●	●	● x2	●
<p>●</p> 	● x2	● x2	● x2	● x2	● x2	● x2	● x2	●	●	●	● x6	●
<p>Wall Plug</p> 	● x6	● x6	● x6	● x6	● x6	● x6	● x6	● x3	● x3	● x3	● x6	●
<p>Wall Plug</p> 												● x5

INSTALLATION

SECTION 1

POSITIONING THE WALL CHANNELS

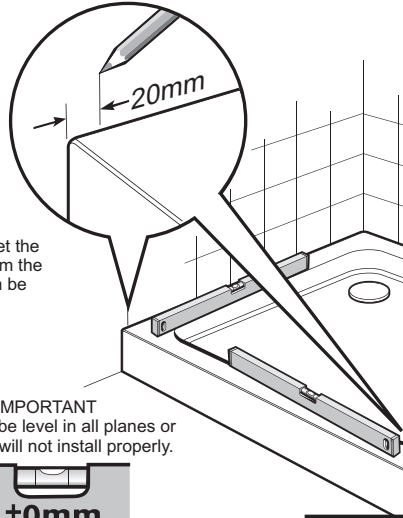
DOOR WITH HINGES FITTED TO AN INLINE PANEL



The dimensions shown will set the door approximately 30mm from the front of the tray, but this can be adjusted if required.

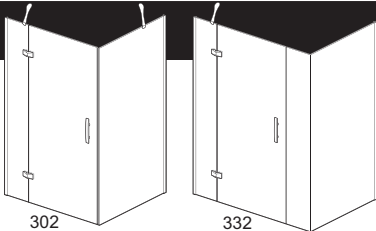
WET ROOM FITTING ONLY:
Mark equal distance from back wall on both sides.

If a seat is being fitted the distance from the back wall to the glass **MUST** be between 750 & 950mm.

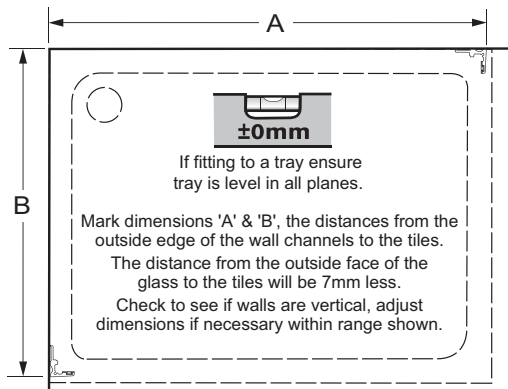


Proceed to Section 2

DOOR WITH HINGES FITTED TO AN INLINE PANEL AND CLOSING TO A SIDE OR BONDED PANEL



DIMENSION A Door & Inline Panel(s)	
800	769 ± 8mm
900	869 ± 8mm
1000	969 ± 8mm
1100	1069 ± 8mm
1200	1169 ± 8mm
1300	1269 ± 8mm
1400	1369 ± 8mm
1500	1469 ± 8mm
1600	1569 ± 8mm
1700	1669 ± 8mm
DIMENSION B Side Panel	
762	731 ± 8mm
800	769 ± 8mm
900	869 ± 8mm
1000	969 ± 8mm
1200	1169 ± 8mm
1400	1355 ± 8mm

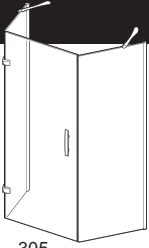


If a seat is being fitted the distance from the wall to the glass **MUST** be between 750 & 950mm.

Proceed to Section 2

SECTION 1 • POSITIONING THE WALL CHANNELS

PENTAGON ENCLOSURE



305

Wall channel positions are determined using the threshold - lay the threshold on the tray or floor.

DO NOT FIX IN PLACE

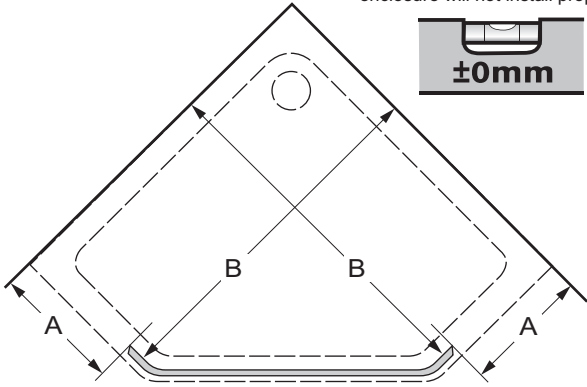
Mark dimension 'A', the distance from the corner of the threshold to the tiles. Check to see if walls are vertical, adjust 'A' if necessary within range shown.

IMPORTANT

Tray must be level in all planes or enclosure will not install properly.



Enclosure	DIMENSION 'A'
900	329 ± 8mm
1000	429 ± 8mm
1200	629 ± 8mm
1400	829 ± 8mm



BESPOKE ENCLOSURES ONLY:

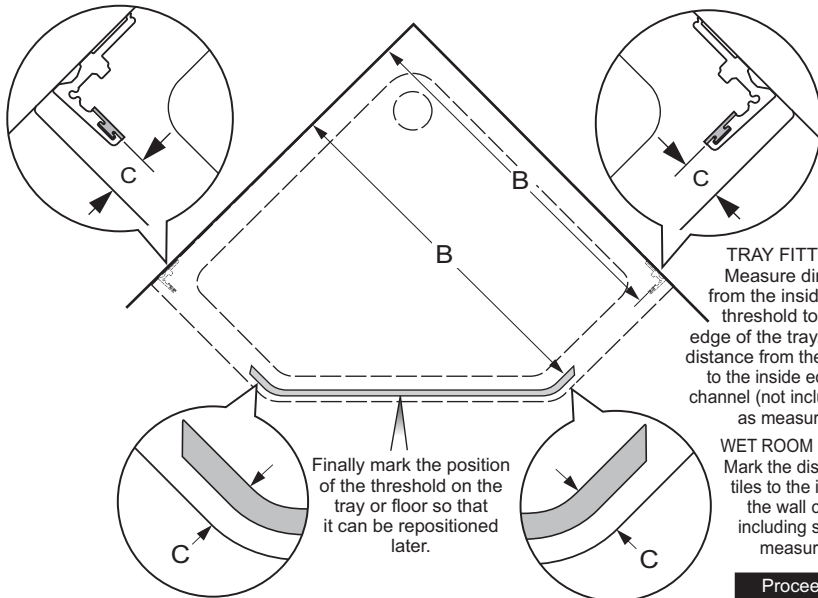
Mark dimension 'A', the width of glass panel minus 24mm, then adjust for lean of wall if necessary.

WET ROOM FITTING ONLY:

Mark dimension 'A', then measure dimension 'B' from the inside edge of the threshold to the tiles.

1

Mark the position of both wall channels on the wall:



TRAY FITTING ONLY:

Measure dimension 'C' from the inside edge of the threshold to the outside edge of the tray. Then mark the distance from the edge of the tray to the inside edge of the wall channel (not including seal) to be as measurement 'C'.

WET ROOM FITTING ONLY:

Mark the distance from the tiles to the inside edge of the wall channel (not including seal) to be as measurement 'B'.

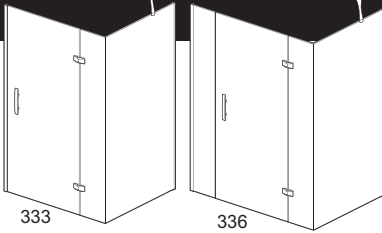
Finally mark the position of the threshold on the tray or floor so that it can be repositioned later.

Proceed to Section 2

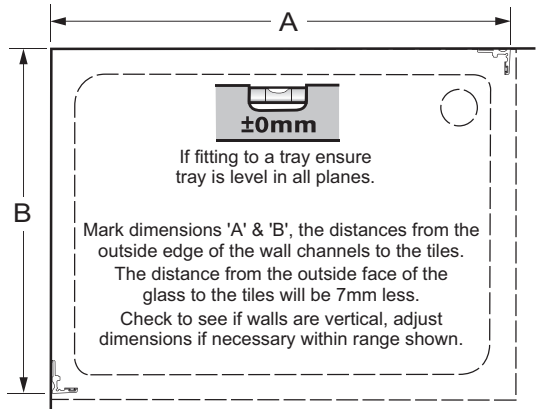
2

SECTION 1 • POSITIONING THE WALL CHANNELS

ENCLOSURES WITH HINGES FITTED TO A BONDED SIDE PANEL



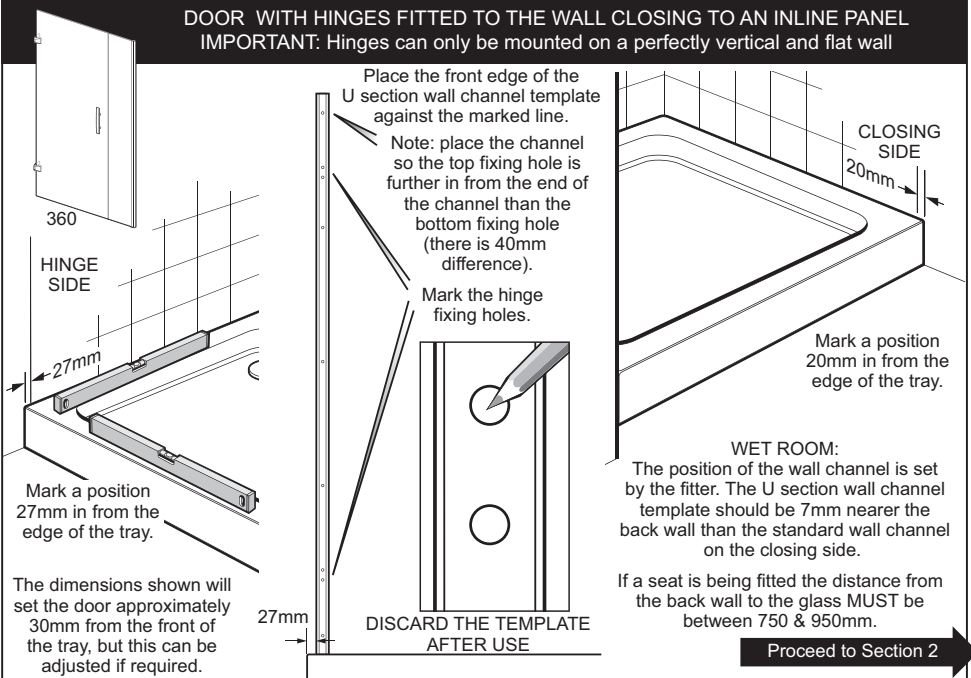
DIMENSION A Door & Inline Panel(s)	
800	769 ± 8mm
900	869 ± 8mm
1000	969 ± 8mm
1100	1069 ± 8mm
1200	1169 ± 8mm
1300	1269 ± 8mm
1400	1369 ± 8mm
1500	1469 ± 8mm
1600	1569 ± 8mm
1700	1669 ± 8mm
DIMENSION B Side Panel	
762	731 ± 8mm
800	769 ± 8mm
900	869 ± 8mm



If a seat is being fitted the distance from the wall to the glass **MUST** be between 750 & 950mm.

Proceed to Section 2

DOOR WITH HINGES FITTED TO THE WALL CLOSING TO AN INLINE PANEL IMPORTANT: Hinges can only be mounted on a perfectly vertical and flat wall



Proceed to Section 2

SECTION 1 • POSITIONING THE WALL CHANNELS

DOOR ONLY WITH HINGES FITTED TO THE WALL
IMPORTANT: Hinges can only be mounted on a perfectly vertical and flat wall

Before fitting the wall channel, mark the fixing position of the hinges on the wall using the wall channel as a template.

Place the front edge of the U section wall channel template against the marked line.

TRAY FITTING ONLY:
 Mark a vertical plumb line on the wall from the tray to above the position of the top hinge 27mm from the front edge of the tray.

Note: place the channel so the top fixing hole is further in from the end of the channel than the bottom fixing hole (there is 40mm difference).

Mark the hinge fixing holes.

364



±0mm

IMPORTANT
 Tray must be level in all planes or enclosure will not install properly.

The dimensions shown will set the door approximately 30mm from the front of the tray, but this can be adjusted if required.

WET ROOM FITTING ONLY:
 The position of the vertical plumb line is set by the fitter.

27mm

1

On the closing side, mark the position of the wall channel on the wall.

CLOSING SIDE

27mm

TRAY FITTING ONLY:
 Mark a line 27mm from the front edge of the tray.

WET ROOM FITTING ONLY:
 Mark a line on the wall equal to the distance from the wall to the vertical plumb line on the hinge side.

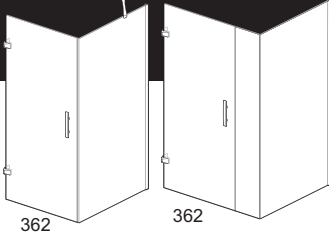
Proceed to Section 2

2

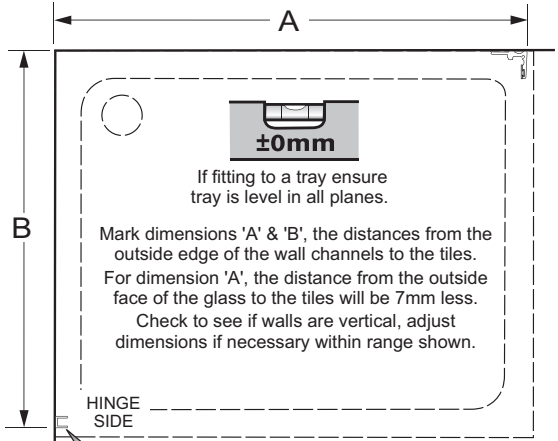
SECTION 1 • POSITIONING THE WALL CHANNELS

DOOR WITH HINGES FITTED TO THE WALL AND CLOSING TO A PANEL

IMPORTANT: Hinges can only be mounted on a perfectly vertical and flat wall



DIMENSION A Door (& Inline Panel)	
700	668 ± 0mm
800	768 ± 0mm
900	868 ± 0mm
1000	968 ± 0mm
1100	1068 ± 0mm
1200	1168 ± 0mm
1300	1268 ± 0mm
1400	1368 ± 0mm
DIMENSION B Side Panel	
762	724 ± 8mm
800	762 ± 8mm
900	862 ± 8mm
1000	962 ± 8mm
1200	1162 ± 8mm
1400	1348 ± 8mm



±0mm
If fitting to a tray ensure tray is level in all planes.

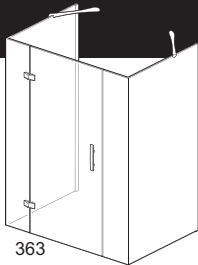
Mark dimensions 'A' & 'B', the distances from the outside edge of the wall channels to the tiles.
For dimension 'A', the distance from the outside face of the glass to the tiles will be 7mm less.
Check to see if walls are vertical, adjust dimensions if necessary within range shown.

Place the front edge of the U section wall channel template on the tray or floor and mark the position of the hinge fixing holes.
SEE PAGE 10 FOR MORE INFORMATION

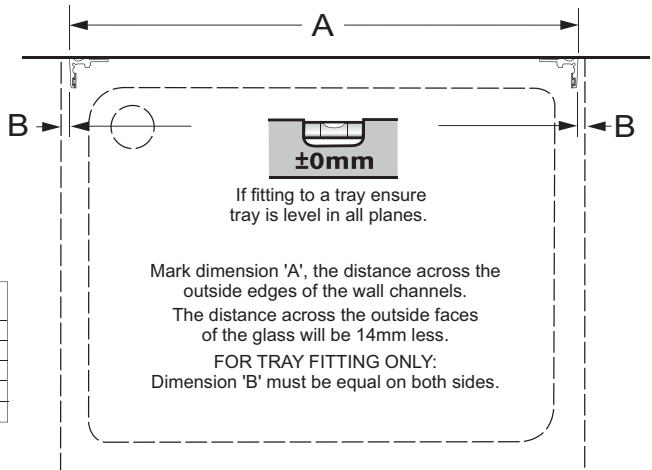
If a seat is being fitted the distance from the wall to the glass **MUST** be between 750 & 950mm.

Proceed to Section 2

ENCLOSURES WITH BONDED PANELS ON BOTH SIDES OF THE DOOR



DIMENSION A Door & Panels	
1200	1190 ± 0mm
1300	1290 ± 0mm
1400	1390 ± 0mm
1500	1490 ± 0mm
1600	1590 ± 0mm



±0mm
If fitting to a tray ensure tray is level in all planes.

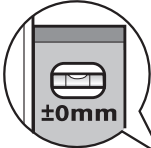
Mark dimension 'A', the distance across the outside edges of the wall channels.
The distance across the outside faces of the glass will be 14mm less.
FOR TRAY FITTING ONLY:
Dimension 'B' must be equal on both sides.

Proceed to Section 2

FITTING THE WALL CHANNELS

FITTING A STANDARD WALL CHANNEL

Note:
Glass seal will extend
out of wall channel



Wall channels
MUST be
plumb



Place the outside edge of the wall channel against the mark on the wall.

Make the wall channel plumb.

Mark the position of the 3 fixing holes on the wall.

Remove the wall channel and drill 3 x 8mm holes at the marked points.

Fit 3 wall plugs.

Screw the wall channel to the wall just enough to hold it in position.

Lay a bead of sealant behind the wall channel.

Fully tighten screws to fix the wall channel to the wall.

Check wall channel is plumb. Use slots to adjust if necessary.

Proceed to Section 3

FITTING A 'U' SECTION WALL CHANNEL



Place the outside edge of the wall channel against the mark on the wall.

Make the wall channel plumb.

Mark the position of the 5 fixing holes on the wall.

Remove the wall channel and drill 5 x 6mm holes at the marked points.

Fit 5 wall plugs.

Screw the wall channel to the wall just enough to hold it in position.

Lay a bead of sealant behind the wall channel.

Fully tighten screws to fix the wall channel to the wall.

Proceed to Section 3

FITTING THE CHANNEL GUIDES

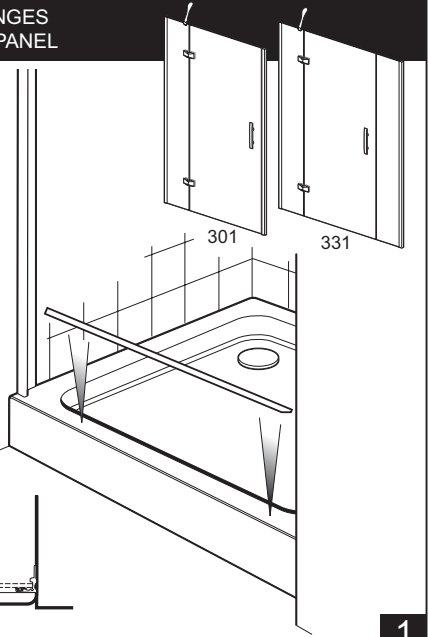
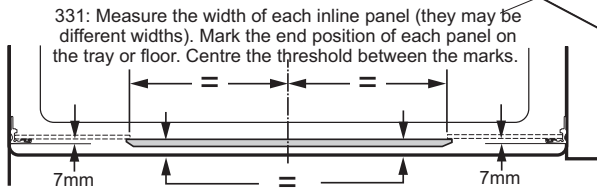
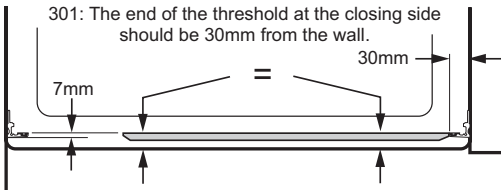
DOOR ONLY WITH HINGES
FITTED TO AN INLINE PANEL

Mark guide position(s) by laying the threshold on the tray or floor

DO NOT FIX IN PLACE

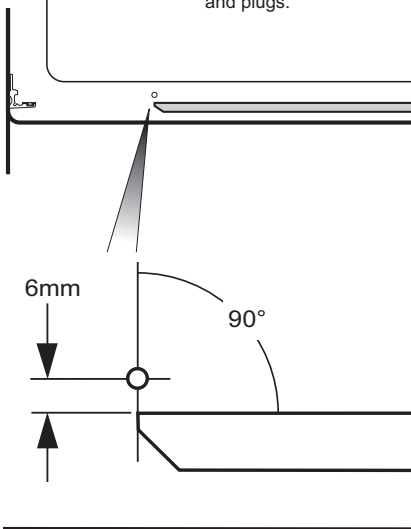
The inside edge of the threshold should be 7mm back from the marks made for the wall channel in Section 1.

When fitting to a tray visually check that the threshold is parallel to edge of tray.

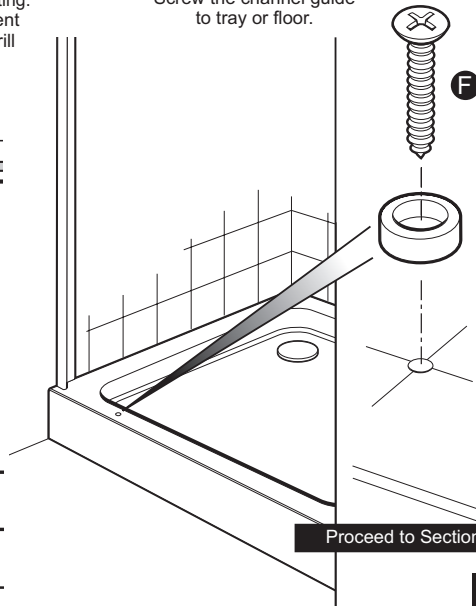


1

Drill a hole, for each inline panel 6mm in from the end of the threshold. Drill 3mm for tray fitting. Size of hole for wet room fitting is dependent on floor specification. Installer to supply drill and plugs.



REMOVE THE THRESHOLD
Screw the channel guide to tray or floor.

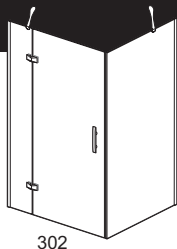


Proceed to Section 4

2

SECTION 3 • FITTING THE CHANNEL GUIDES

ENCLOSURE WITH HINGES FITTED TO AN INLINE PANEL AND CLOSING TO A SIDE PANEL



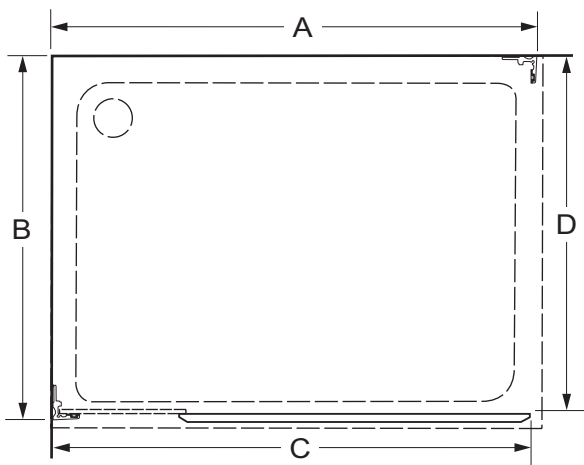
Mark guide positions by laying the threshold on the tray or floor
DO NOT FIX IN PLACE

Dimensions 'A' & 'B'
Are the measurements from the outside edges of the wall channels to the tiles, as marked in Section 1.

Dimensions 'C' & 'D'
Mark 'C' from the tiles to the outer edge of the threshold.
Dimension 'C' is 'A' minus 7mm.

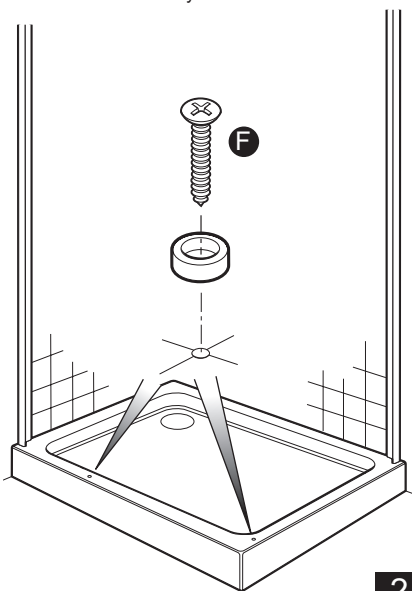
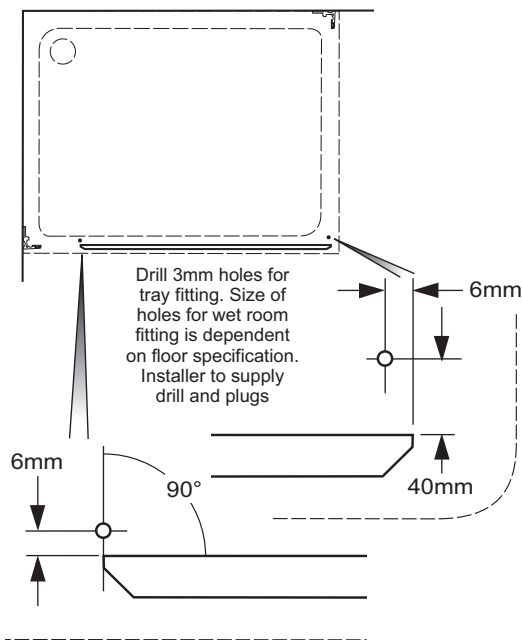
Mark 'D' from the tiles to the inside edge of the threshold.
Dimension 'D' is 'B' minus 7mm.

When fitting to a tray visually check that threshold is parallel to edge of tray.



1

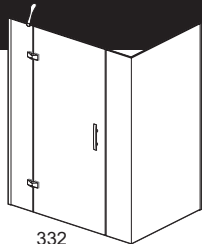
REMOVE THE THRESHOLD
Screw the channel guides to tray or floor



2

SECTION 3 • FITTING THE CHANNEL GUIDES

ENCLOSURE WITH HINGES FITTED TO AN INLINE PANEL AND CLOSING TO A BONDED PANEL



332

Dimensions 'A' & 'B' are the measurements from the outside edges of the wall channels to the tiles, as marked in Section 1.

Dimensions 'C', 'D' & 'E'
Mark 'C' from the tiles to the inside edge of the threshold.

Dimension 'C' is 'B' minus 7mm.

Mark 'D' from the inside of the wall channel to the edge of the inline panel. Dimension 'D' is the width of the panel.

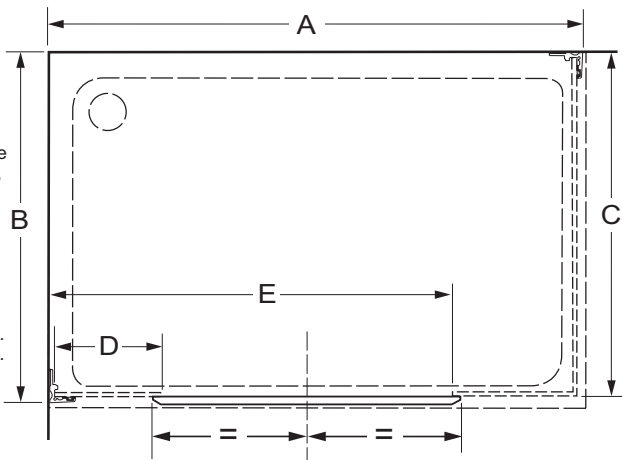
Mark 'E' from the tiles to the edge of the bonded panel.

Dimension 'E' is 'A' minus 7mm, then minus the width of the bonded panel.

Place the threshold centrally between 'D' and 'E'.

Mark first guide position by laying the threshold on the tray or floor

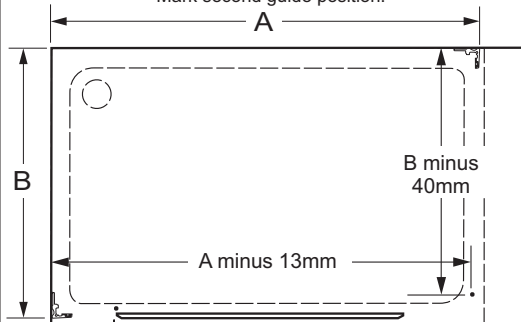
DO NOT FIX IN PLACE



When fitting to a tray visually check that threshold is parallel to edge of tray.

1

Mark second guide position.

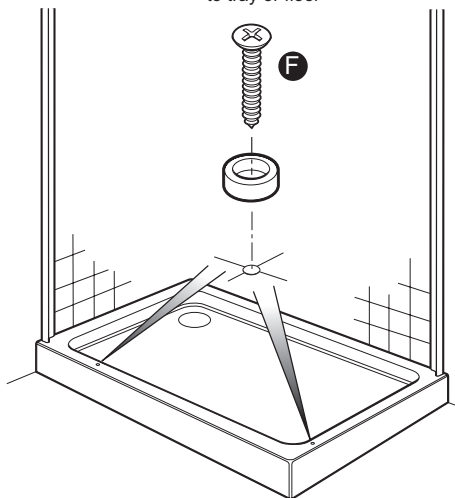


6mm

90°

Drill 3mm holes for tray fitting. Size of holes for wet room fitting is dependent on floor specification. Installer to supply drill and plugs

REMOVE THE THRESHOLD
Screw the channel guides to tray or floor

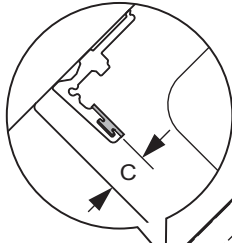
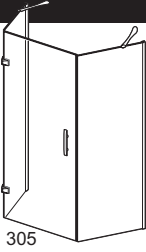


Proceed to Section 4

2

SECTION 3 • FITTING THE CHANNEL GUIDES

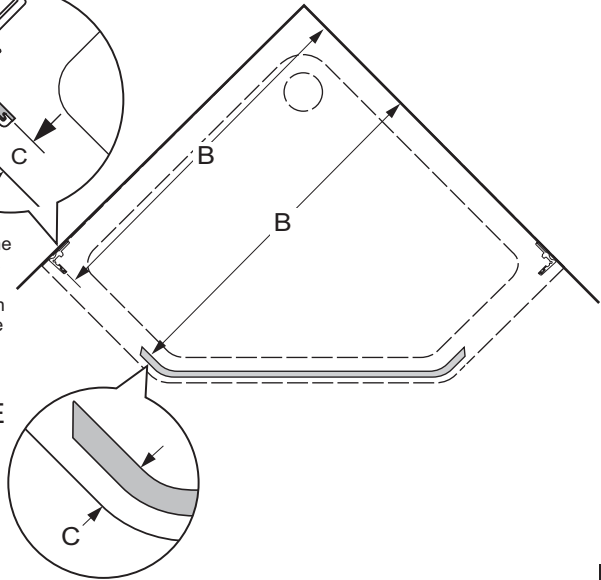
PENTAGON



Mark guide positions by replacing the threshold in its original position, as marked in Section 1.

This will set the inside edge of each side of the threshold in line with the inside edge of each wall channel (not including the seal).

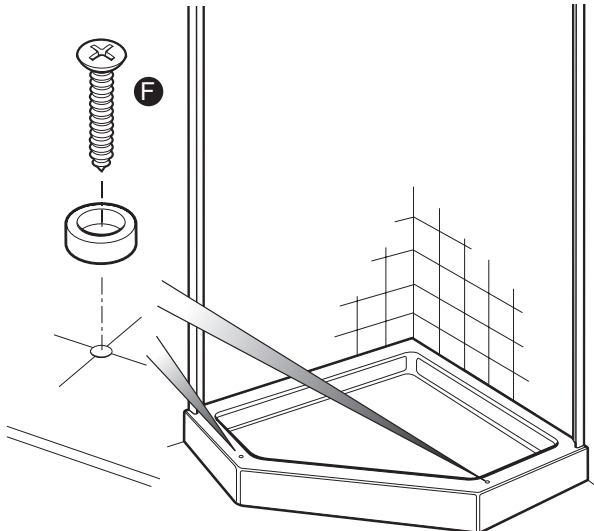
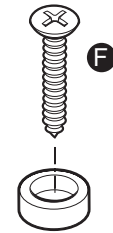
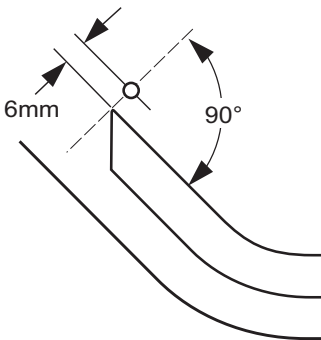
DO NOT FIX IN PLACE



1

Drill holes 6mm in from each end of threshold. Drill 3mm for tray fitting. Size of holes for wet room fitting is dependent on floor specification. Installer to supply drill and plugs

REMOVE THE THRESHOLD
Screw the channel guides to the tray or floor

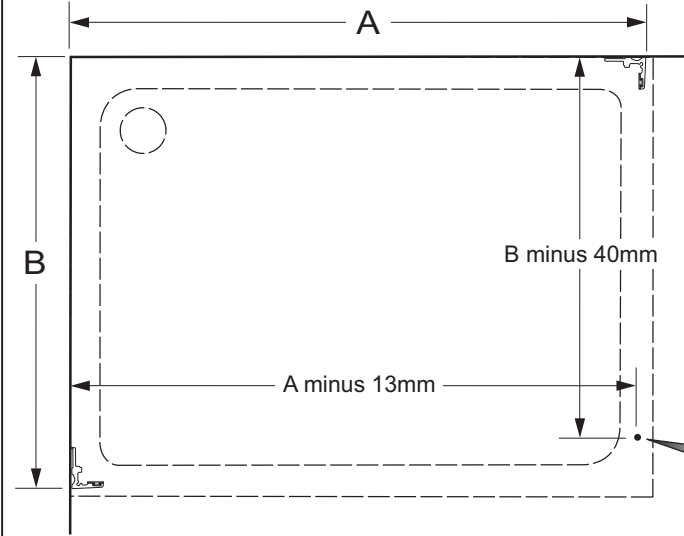


Proceed to Section 4

2

SECTION 3 • FITTING THE CHANNEL GUIDES

ENCLOSURE WITH HINGES FITTED TO A BONDED SIDE PANEL



333

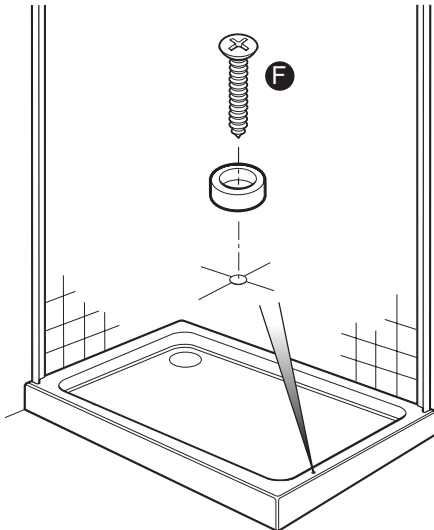
Mark guide position.

Dimensions 'A' & 'B' are the measurements from the outside edges of the wall channels to the tiles, as marked in Section 1.

Drill a 3mm hole for tray fitting. Size of hole for wet room fitting is dependent on floor specification. Installer to supply drill and plugs.

1

Screw the channel guide to tray or floor



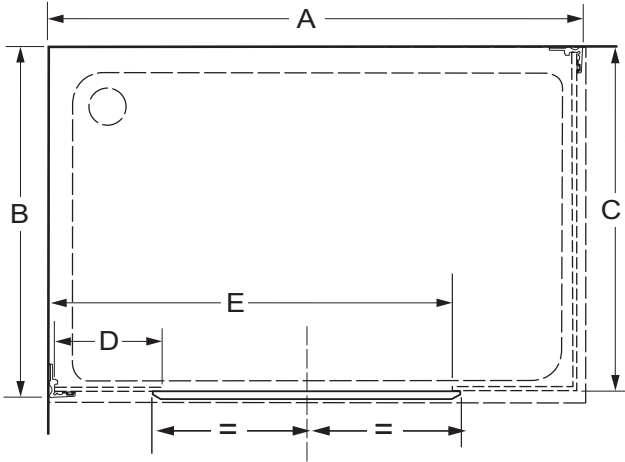
Proceed to Section 4

2

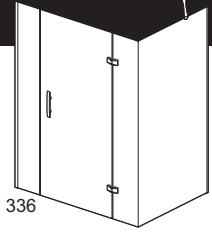
SECTION 3 • FITTING THE CHANNEL GUIDES

ENCLOSURE WITH HINGES FITTED TO A BONDED SIDE PANEL

Mark first guide position by laying the threshold on the tray or floor
DO NOT FIX IN PLACE



When fitting to a tray visually check that
threshold is parallel to edge of tray.



Dimensions 'A' & 'B'
are the measurements from the outside
edges of the wall channels to the tiles,
as marked in Section 1.

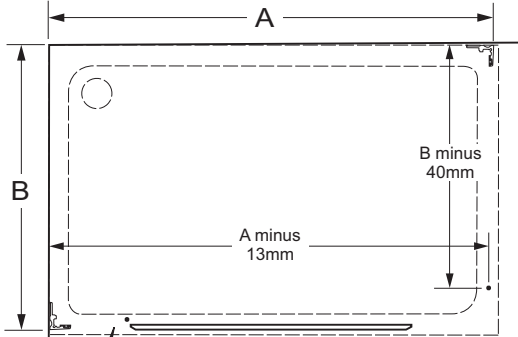
Dimensions 'C', 'D' & 'E'
Mark 'C' from the tiles to the inside
edge of the threshold.
Dimension 'C' is 'B' minus 7mm.

Mark 'D' from the inside of the wall
channel to the edge of the inline panel.
Dimension 'D' is the width of the panel.

Mark 'E' from the tiles to the edge
of the bonded panel.
Dimension 'E' is 'A' minus 7mm, then
minus the width of the bonded panel.
Place the threshold centrally between
'D' and 'E'.

1

Mark second guide position.

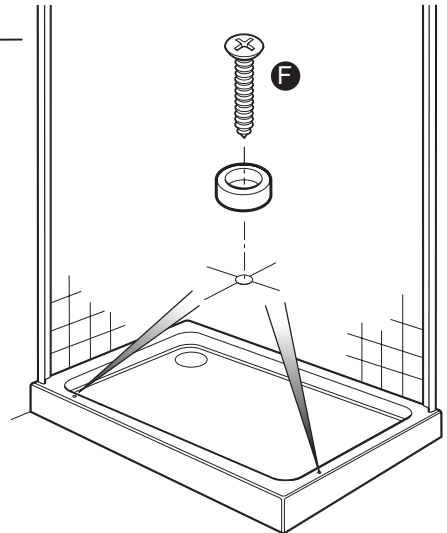


6mm

90°

Drill 3mm holes for
tray fitting. Size of
holes for wet room
fitting is dependent
on floor specification.
Installer to supply
drill and plugs.

REMOVE THE THRESHOLD
Screw the channel guides to tray or floor



Proceed to Section 4

2

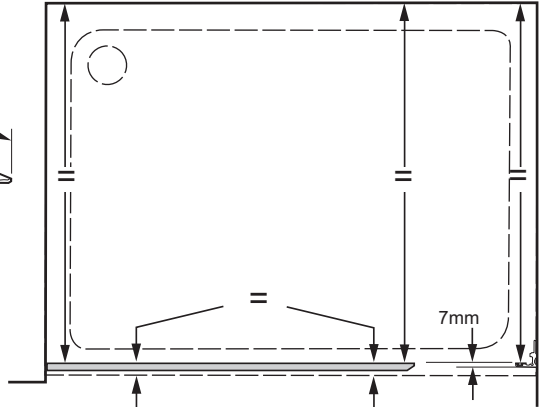
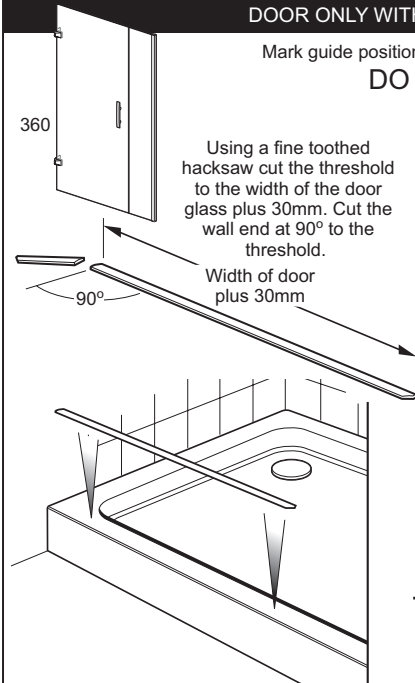
SECTION 3 • FITTING THE CHANNEL GUIDES

DOOR ONLY WITH HINGES FITTED TO THE WALL

Mark guide position by laying the threshold on the tray or floor

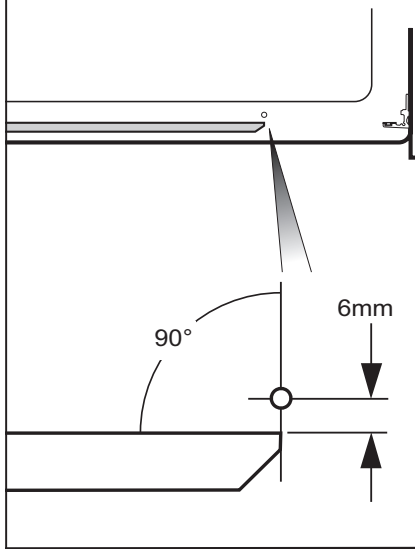
DO NOT FIX IN PLACE

The inside edge of the threshold should be 7mm back from the mark made for the wall channel in Section 1.

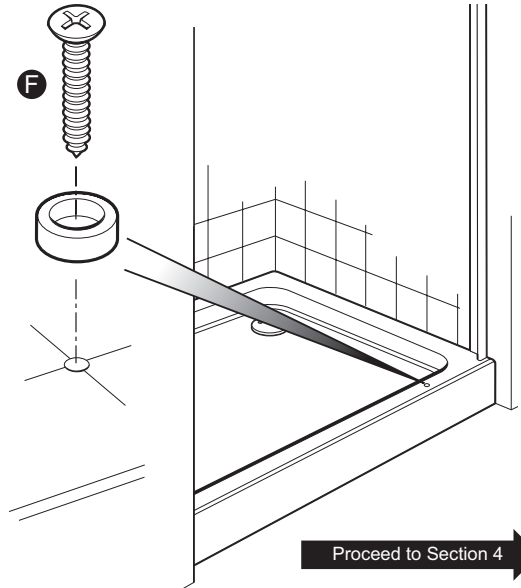


1

Drill a hole 6mm in from the end of the threshold. Drill 3mm for tray fitting. Size of hole for wet room fitting is dependent on floor specification. Installer to supply drill and plugs.



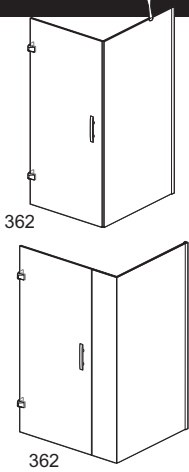
REMOVE THE THRESHOLD
Screw the channel guide to tray or floor.



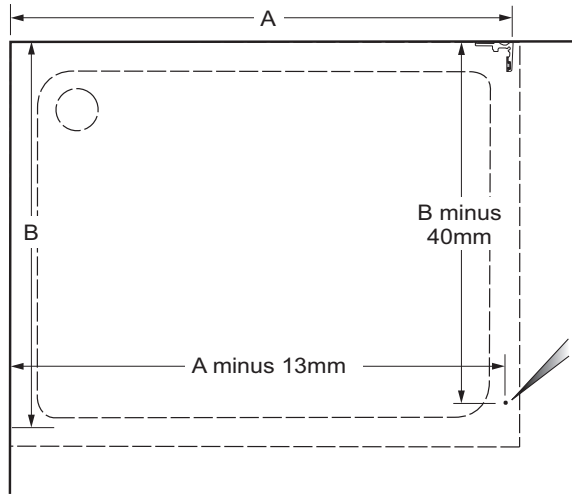
2

SECTION 3 • FITTING THE CHANNEL GUIDES

ENCLOSURES WITH HINGES FITTED TO WALL

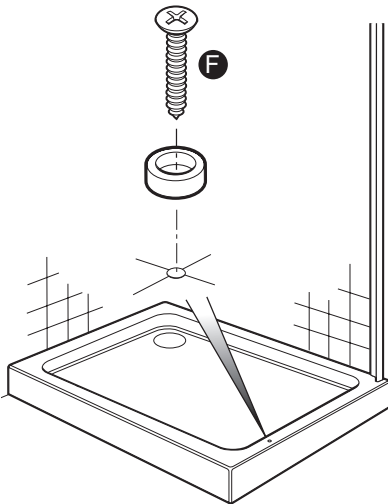


Mark guide position.
Dimensions 'A' & 'B'
are the measurements from the outside edges of the wall channel and of the
'U' section wall channel template to the tiles, as marked in Section 1.



1

Screw the channel guide to tray or floor



Proceed to Section 4

2

SECTION 3 • FITTING THE CHANNEL GUIDES

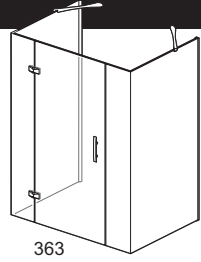
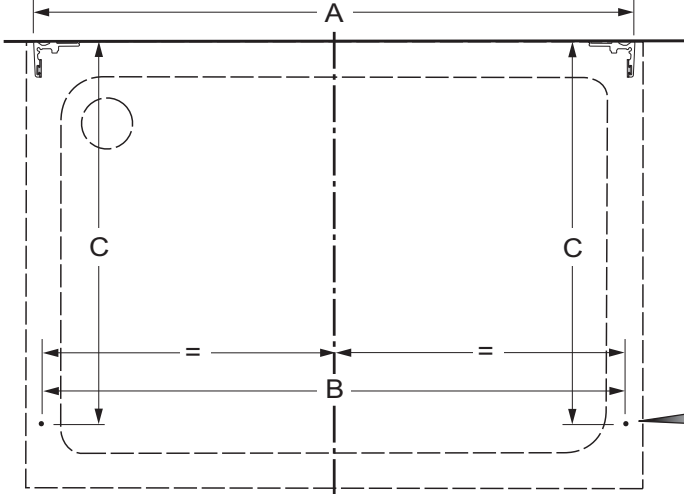
ENCLOSURES WITH TWO BONDED PANELS

Mark guide positions.

Dimension 'A' is the measurement across the outside edges of the wall channels, as marked in Section 1.

Dimension 'B' is 'A' minus 26mm, marked equally about the centre line.

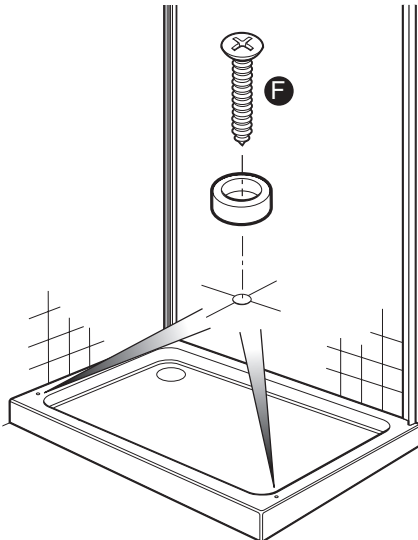
Dimension 'C' is the depth of the bonded panels minus 40mm.



Drill a 3mm hole each side for tray fitting. Size of holes for wet room fitting is dependent on floor specification. Installer to supply drill and plugs.

1

Screw the channel guides to the tray or floor

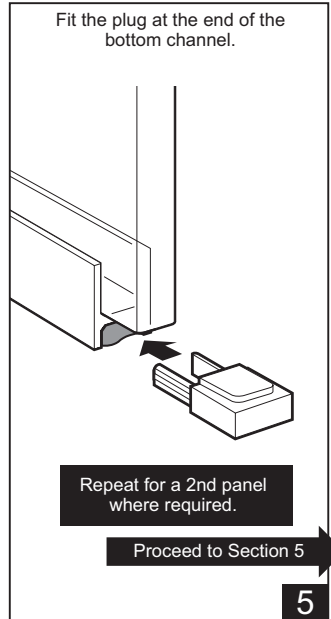
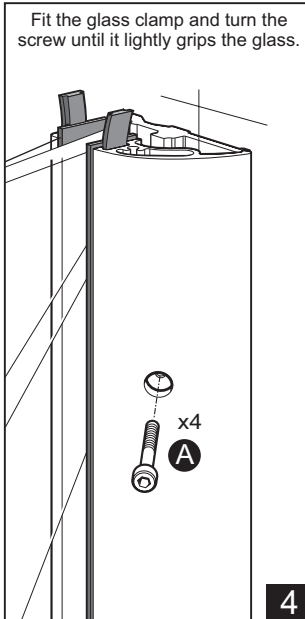
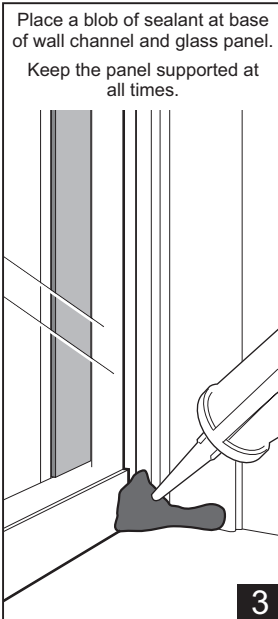
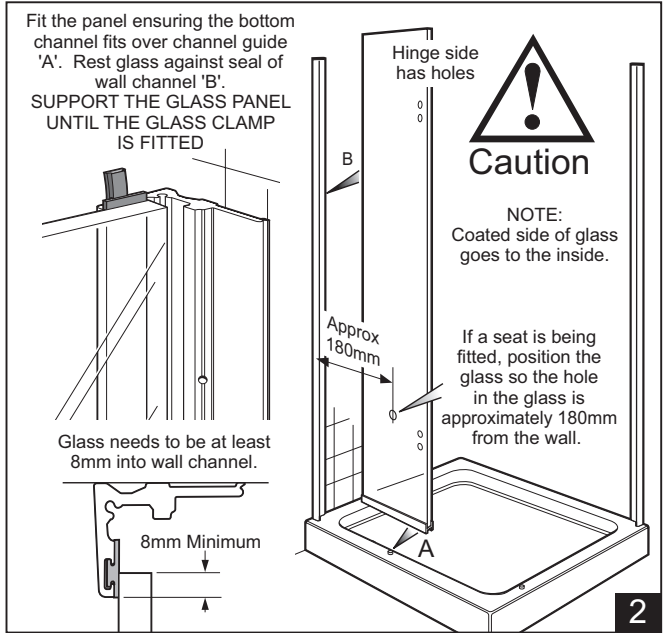
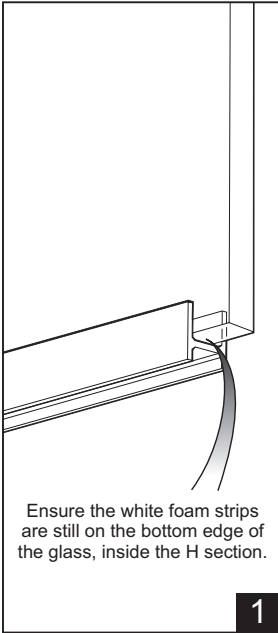


Proceed to Section 4

2

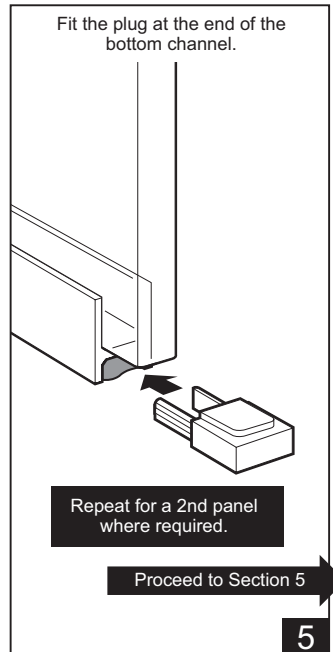
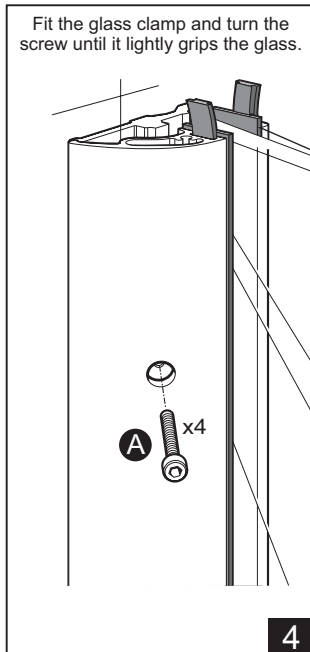
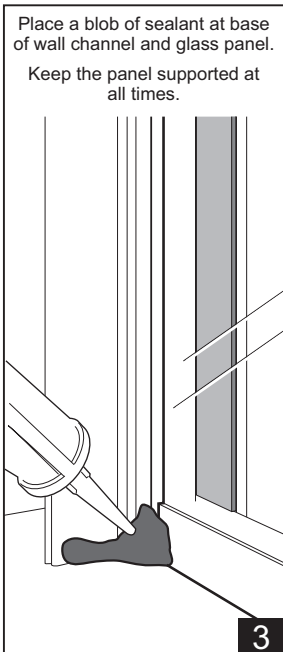
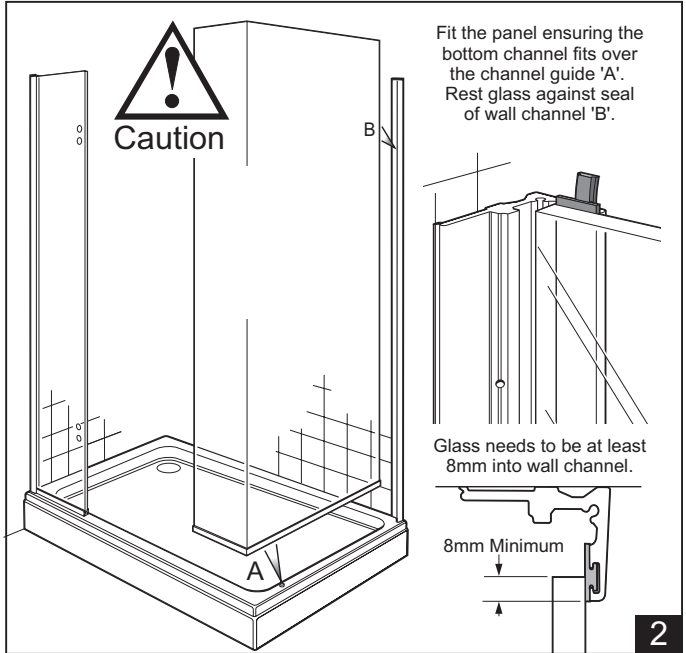
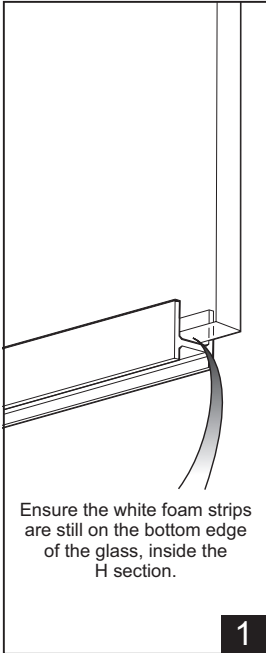
FITTING PANELS

FITTING INLINE PANELS AND SIDE PANELS TO WALL CHANNELS



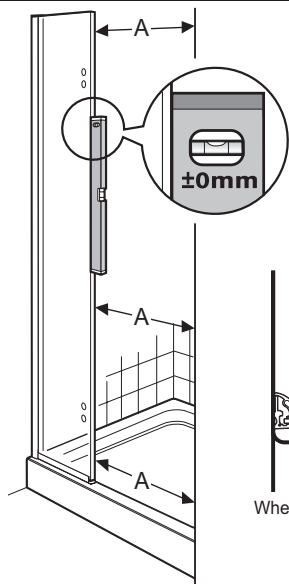
SECTION 4

FITTING BONDED PANELS

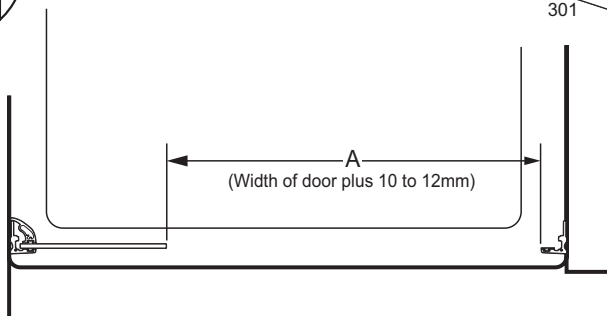
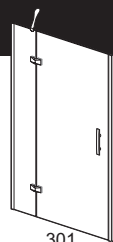


CHECKING DOOR GAPS

DOOR ONLY HINGED FROM AN INLINE PANEL



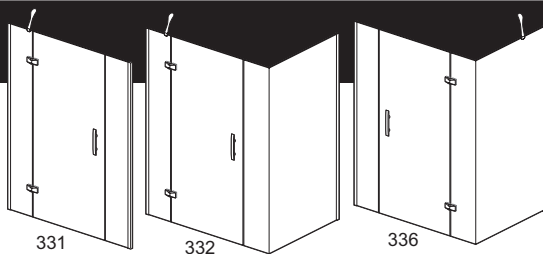
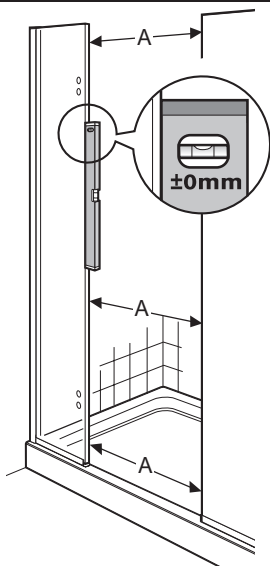
The gap between panel and wall channel must be the width of door plus 10 to 12 mm at all points 'A'.
If adjustment is required, move the inline panel in the wall channel.



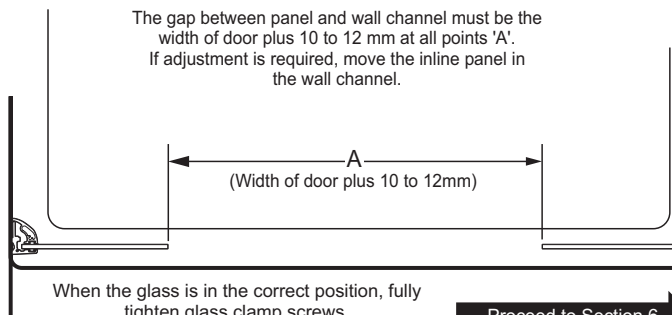
When the glass is in the correct position, fully tighten glass clamp screws.
Retighten the screws after 10 minutes.

Proceed to Section 6

DOOR HINGED FROM AN INLINE PANEL AND CLOSING TO AN INLINE PANEL OR BONDED PANEL



The gap between panel and wall channel must be the width of door plus 10 to 12 mm at all points 'A'.
If adjustment is required, move the inline panel in the wall channel.

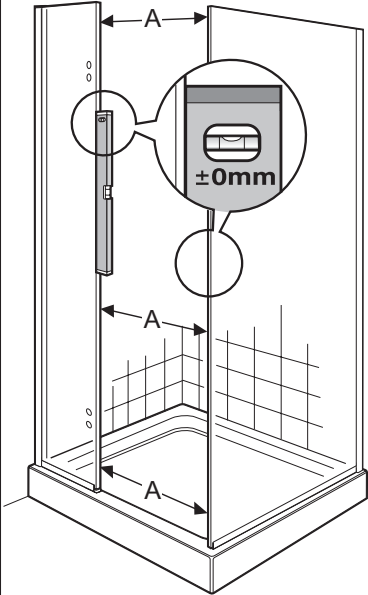


When the glass is in the correct position, fully tighten glass clamp screws.
Retighten the screws after 10 minutes.

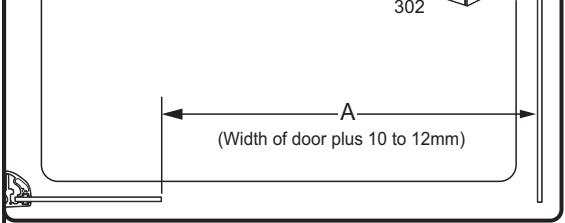
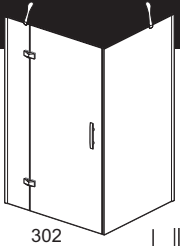
Proceed to Section 6

SECTION 5 • CHECKING DOOR GAPS

DOOR HINGED ON AN INLINE PANEL AND CLOSING TO A SIDE PANEL



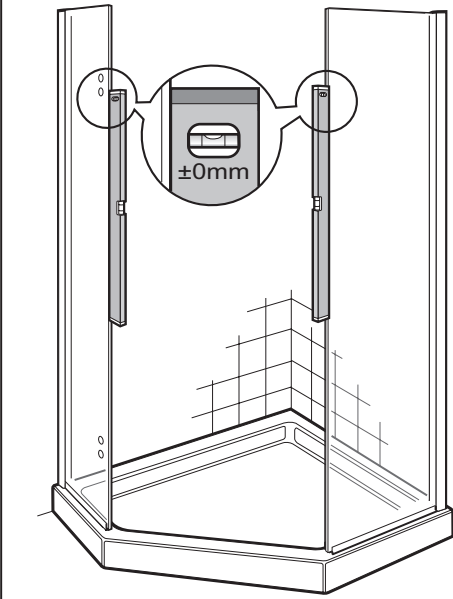
The gap between panel and wall channel must be the width of the door plus 10 to 12 mm at all points 'A'. If adjustment is required, move the inline panel in the wall channel.



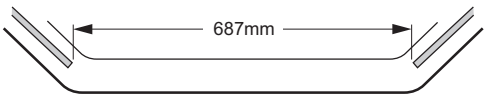
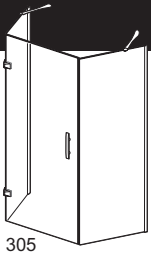
When the glass is in the correct position, fully tighten glass clamp screws. Retighten the screws after 10 minutes.

Proceed to Section 6

PENTAGON



Ensure panels are vertical. The gap between panels should be 687mm. If adjustment is required, move the panels in the wall channels.

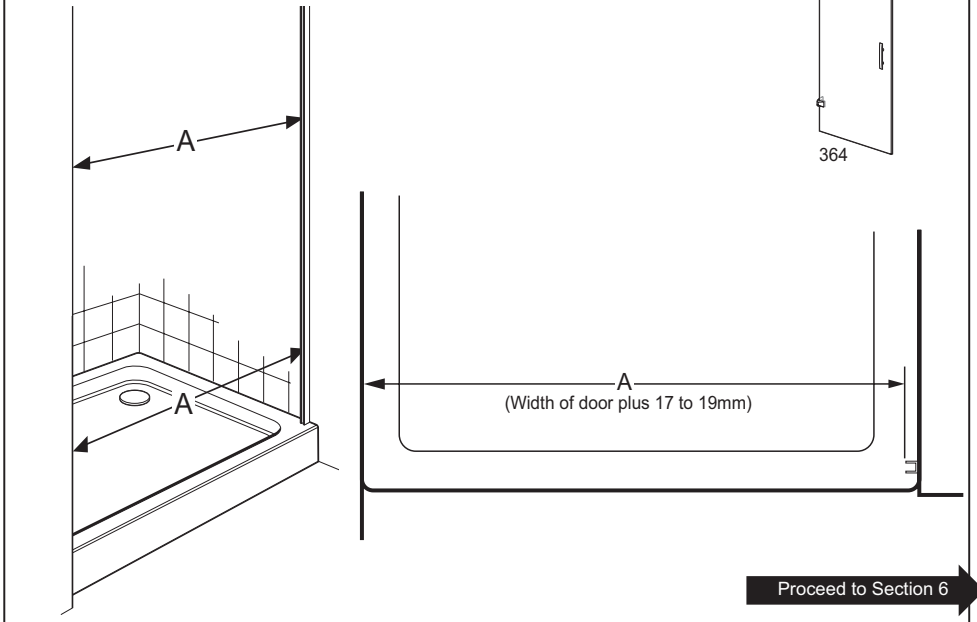


When the glass panels are in the correct position, fully tighten glass clamp screws. Retighten the screws after 10 minutes.

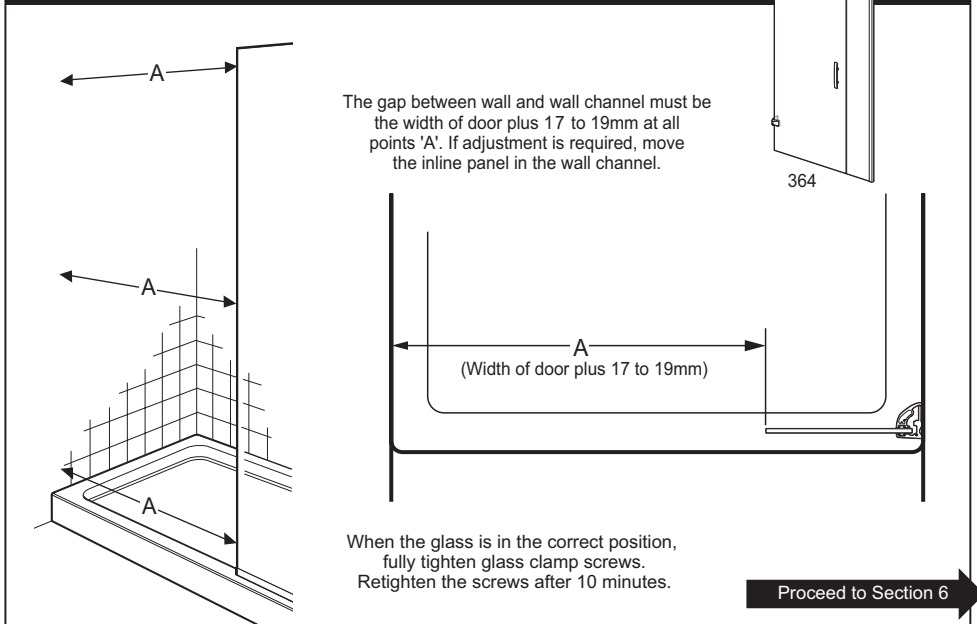
Proceed to Section 6

SECTION 5 • CHECKING DOOR GAPS

DOOR ONLY WITH WALL MOUNTED HINGES

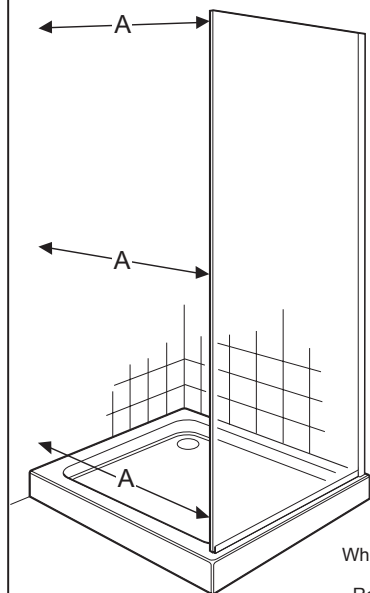


DOOR WITH WALL MOUNTED HINGES AND CLOSING TO AN INLINE PANEL

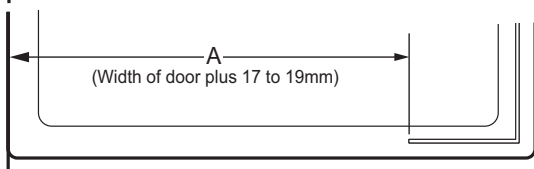
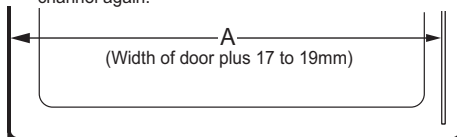
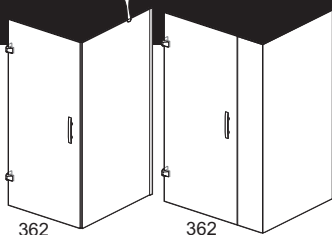


SECTION 5 • CHECKING DOOR GAPS

DOOR WITH WALL MOUNTED HINGES AND CLOSING TO A SIDE OR BONDED PANEL



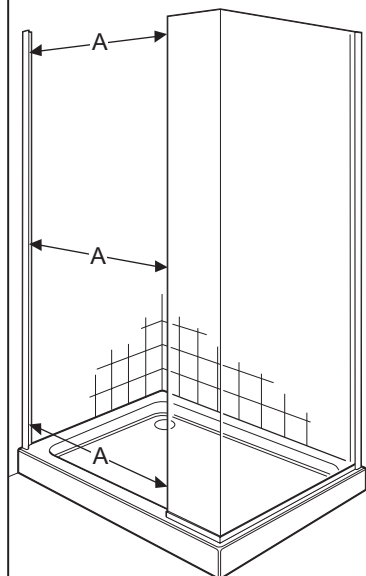
The gap between wall and wall channel must be the width of door plus 17 to 19mm at all points 'A'. If adjustment is required remove the side panel and the channel guide. Redrill the hole and fit the channel guide in the new position. Refit the side panel and check the gap between wall and wall channel again.



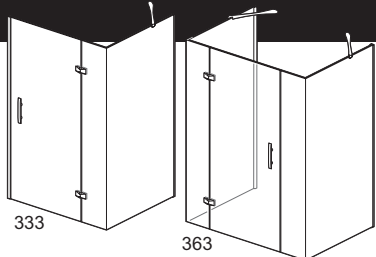
When the glass is in the correct position, fully tighten glass clamp screws. Retighten the screws after 10 minutes.

Proceed to Section 6

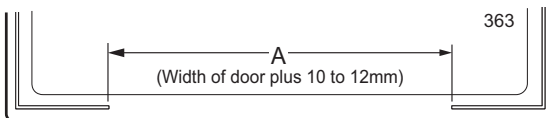
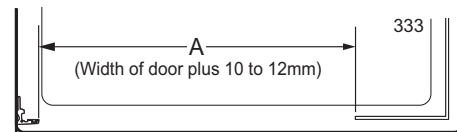
DOOR MOUNTED TO A BONDED PANEL



The gap between wall channel and the edge of the bonded panel (333) or between both bonded panels (363) must be the width of door plus 10 to 12mm at all points 'A'.



If adjustment is required remove the side panel(s) and the channel guide(s). Redrill the hole(s) and fit the channel guide(s) in the new position. Refit the side panel(s) and check the gap again.

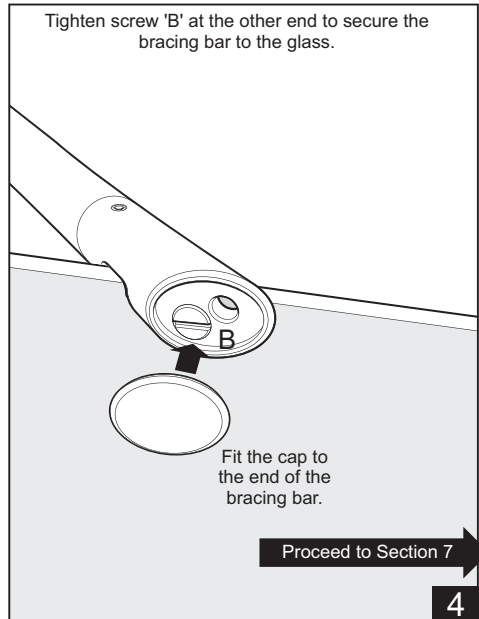
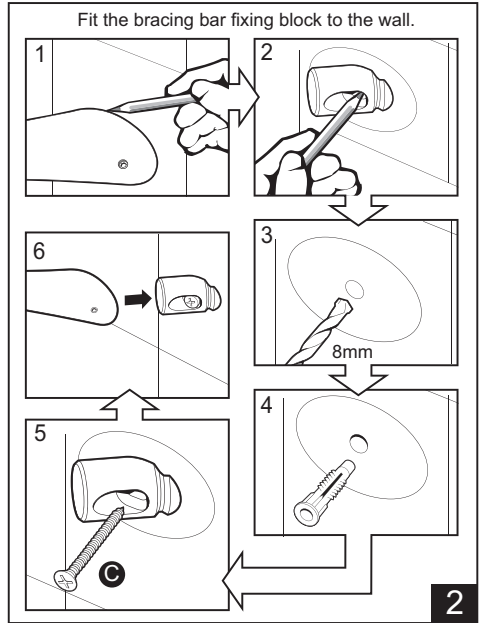
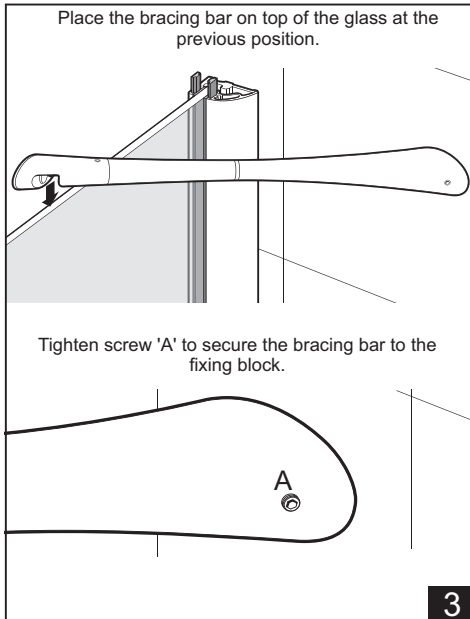
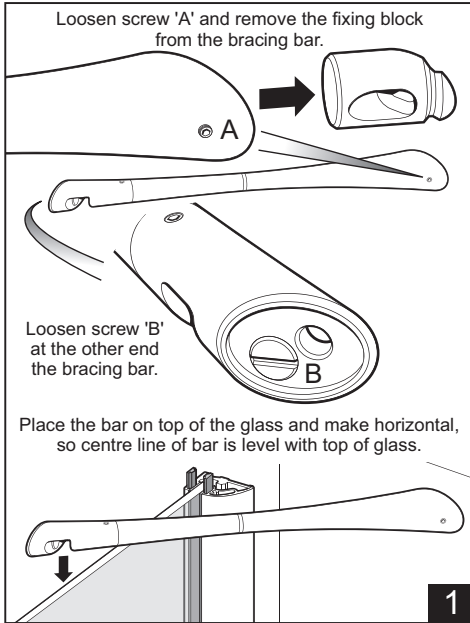


When the glass is in the correct position, fully tighten glass clamp screws. Retighten the screws after 10 minutes.

Proceed to Section 6

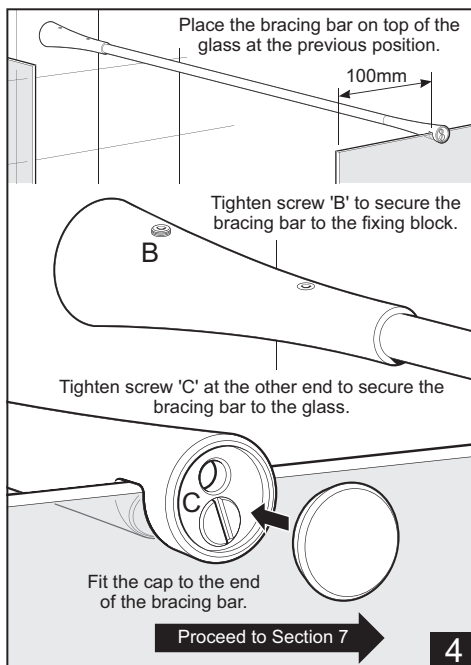
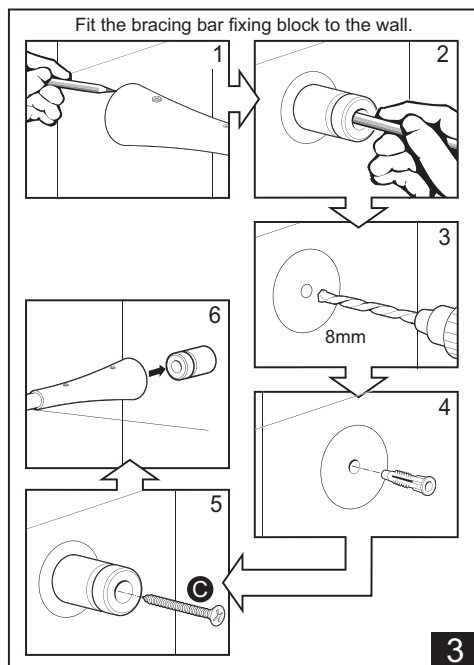
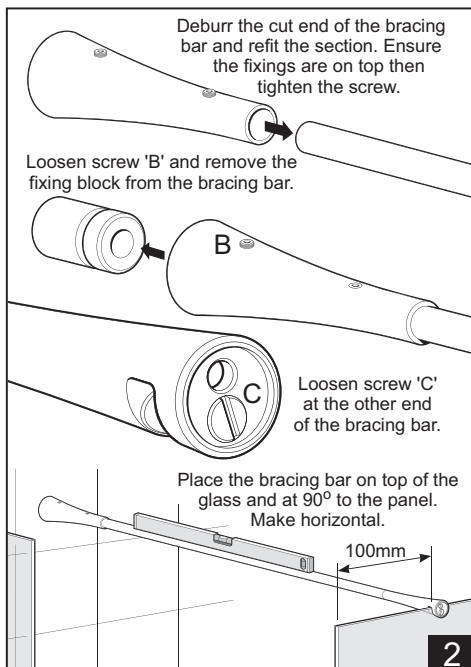
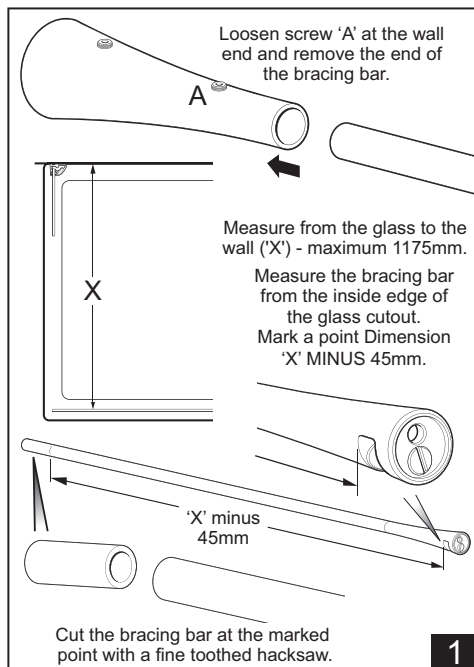
FITTING BRACING BARS

45° BRACING BARS



SECTION 6 • FITTING BRACING BARS

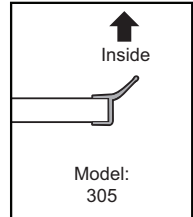
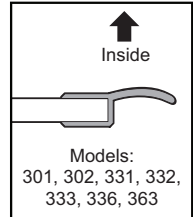
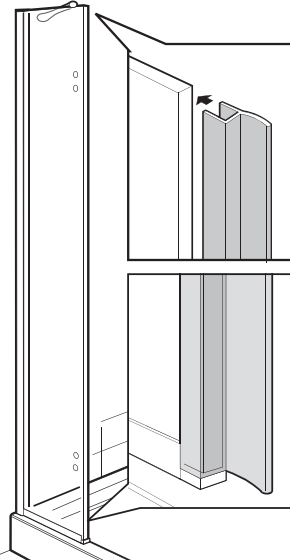
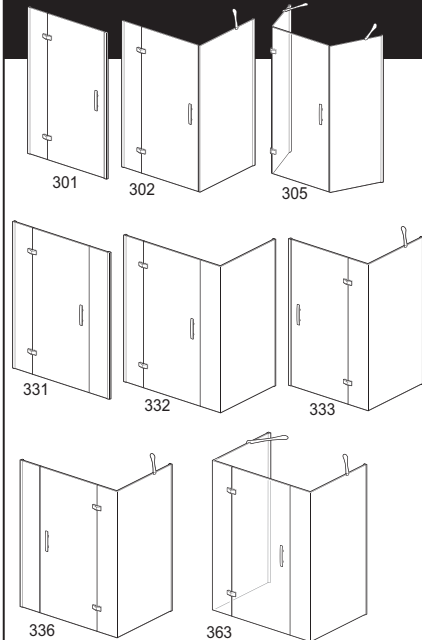
FITTING A 90° BRACING BAR TO A SIDE OR BONDED PANEL



FITTING THE DOOR

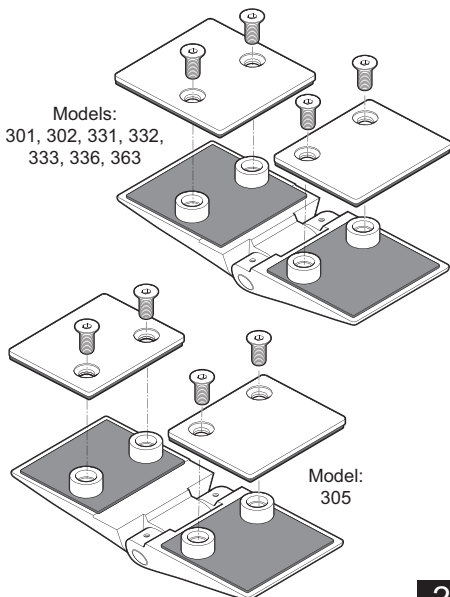
FITTING A DOOR TO AN INLINE PANEL, PENTAGON OR BONDED PANEL

Fit the seal to the edge of the hinge panel.



1

Remove the back plates from the hinges.

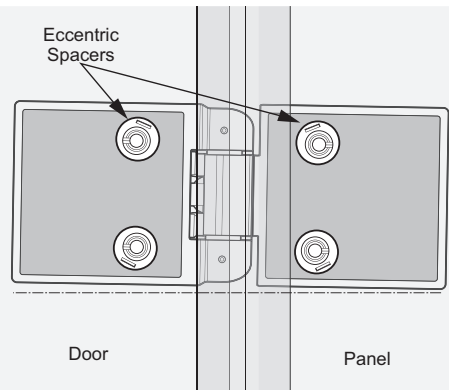


2

The height and angle of the door is set by eccentric spacers, turn the spacers using a flat screwdriver. The positions shown below are recommended as an initial setting, so the door and hinge are at a slight angle prior to the weight being taken by the hinge.

Important:

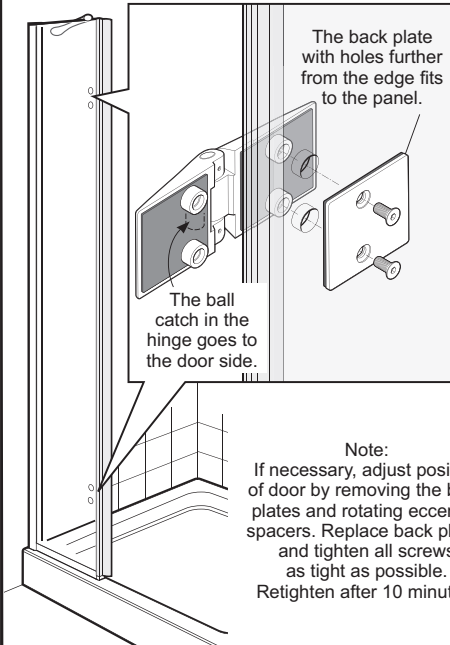
Ensure the door is fully supported at all times.



3

SECTION 7 • FITTING THE DOOR

Fit the hinges to the panel.

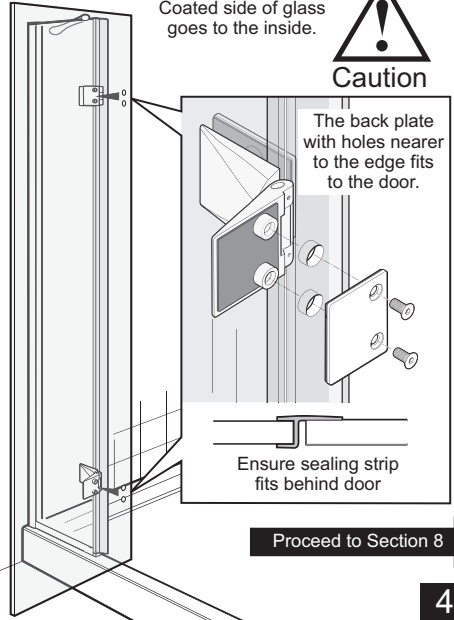


Fold hinge so it is at 90°. Fit the door to hinge ensuring it is fully supported at all times.

NOTE:
Coated side of glass goes to the inside.

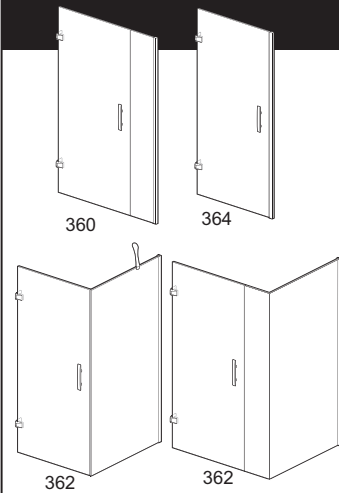


Caution

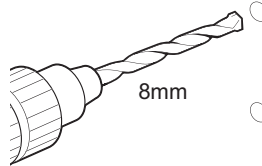


4

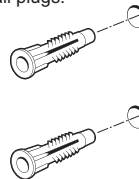
FITTING A DOOR WITH WALL MOUNTED HINGES



Drill 4 x 8mm holes in the wall.



Fit 4 x wall plugs.



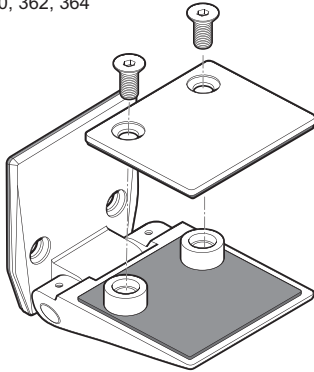
The position for the hinge fixing holes should already be marked on the wall - See Section 1, Page 11.

1

SECTION 7 • FITTING THE DOOR

Remove the back plates from the hinges.

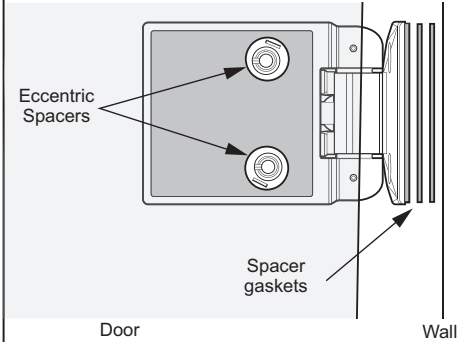
Models:
360, 362, 364



2

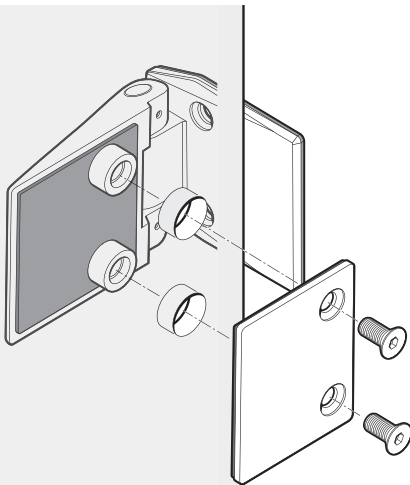
The height and angle of the door is set by eccentric spacers, turn the spacers using a flat screwdriver. The positions shown below are recommended as an initial setting, so the glass is at a slight angle prior to the weight being taken by the hinge. Further adjustment can be achieved by adding spacer gaskets behind the hinge mounting brackets.

Important:
Ensure the door is fully supported at all times.



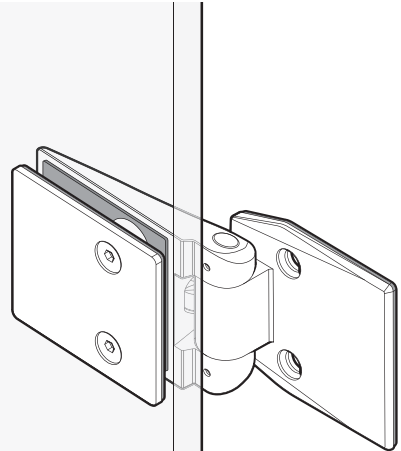
3

Fit the hinges to the panel.
NOTE:
Coated side of glass goes to the inside.



4

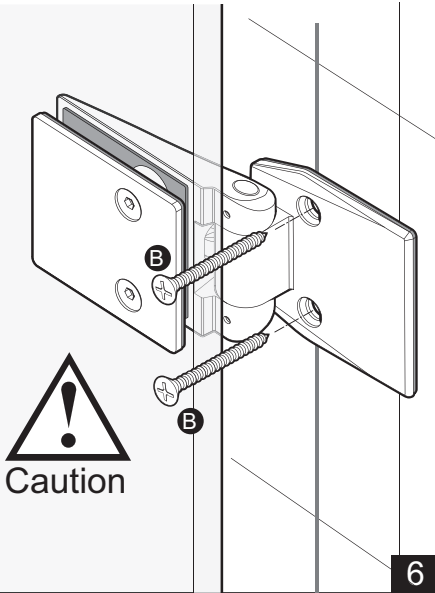
Open the hinges out (as if the door was open).



5

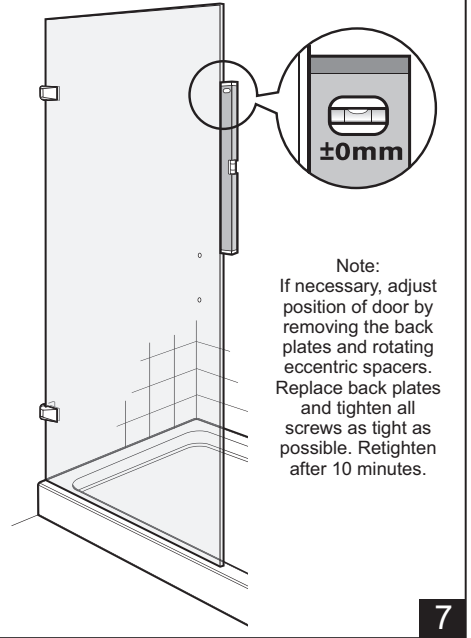
SECTION 7 • FITTING THE DOOR

Carefully lift the door into place.
IMPORTANT: Keep the door supported at all times.
Fit 4 screws to secure the hinges to the wall.



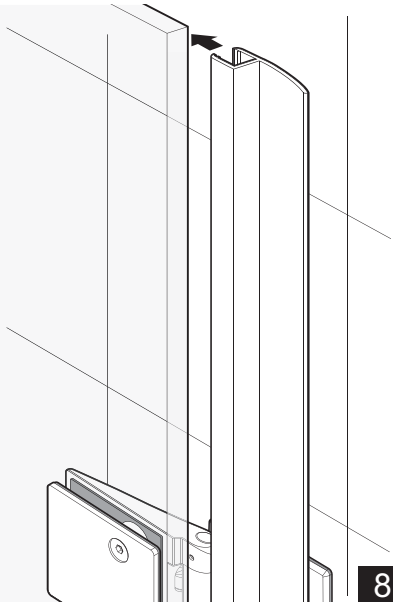
6

Check that the door is vertical.



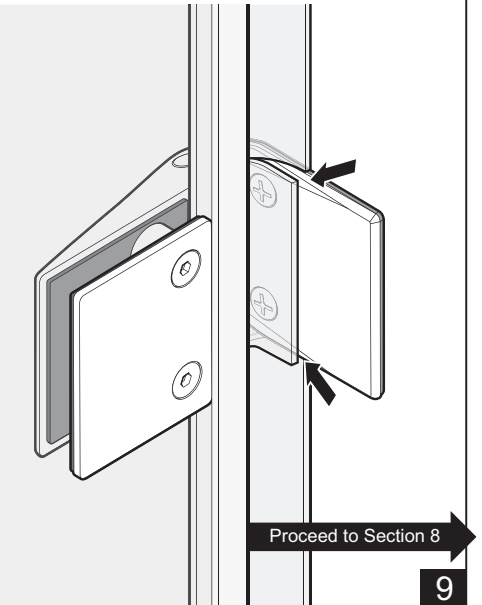
7

Fit the seal to the hinged side of the door, notch at the bottom (use appropriate seal, two are supplied for left or right hand installations).



8

Start to close the door. As the fin of the seal touches the wall brackets, using a sharp knife, make slits in the seal at the top and the bottom of the brackets.



9

FITTING THE CLOSING DOOR SEAL

DOOR TO WALL • STANDARD WALL CHANNEL

Fit the door stop seal into the wall channel. Do not fully tighten screws

301

333

A
x4

IMPORTANT
Adjust door seal until it is
3mm from edge of door,
then fully tighten screws

Move seal
in or out to
adjust

3mm

Proceed to Section 9

DOOR TO WALL • 'U' SECTION WALL CHANNEL

Push the cover strip into the wall channel then fit the door seal
(use the unnotched seal).

364

IMPORTANT
Adjust door seal until it is
3mm from edge of door.

Move seal
in or out to
adjust

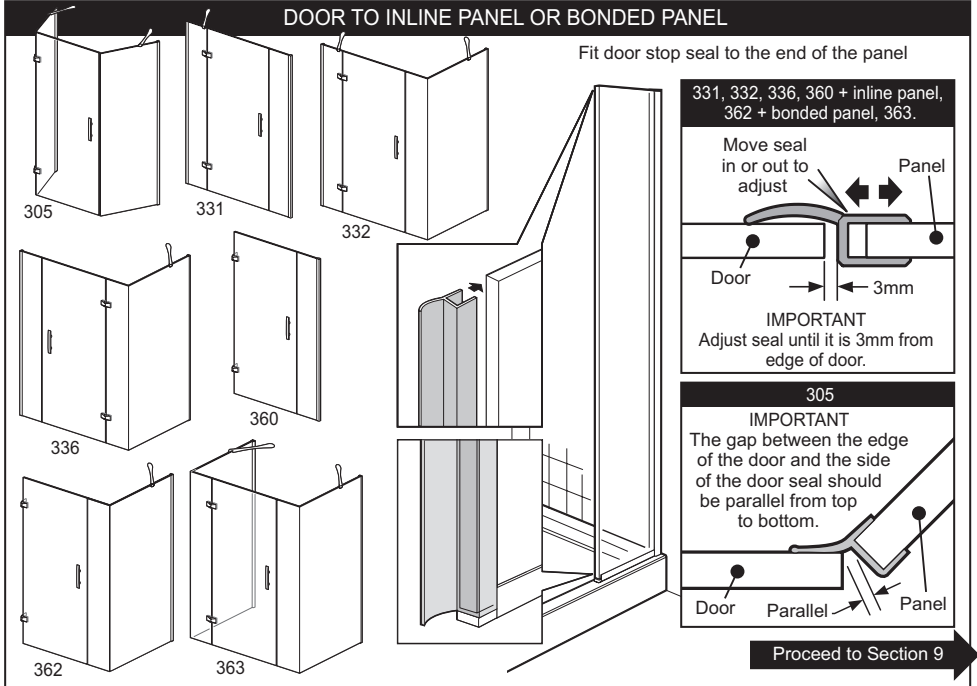
3mm

INSIDE

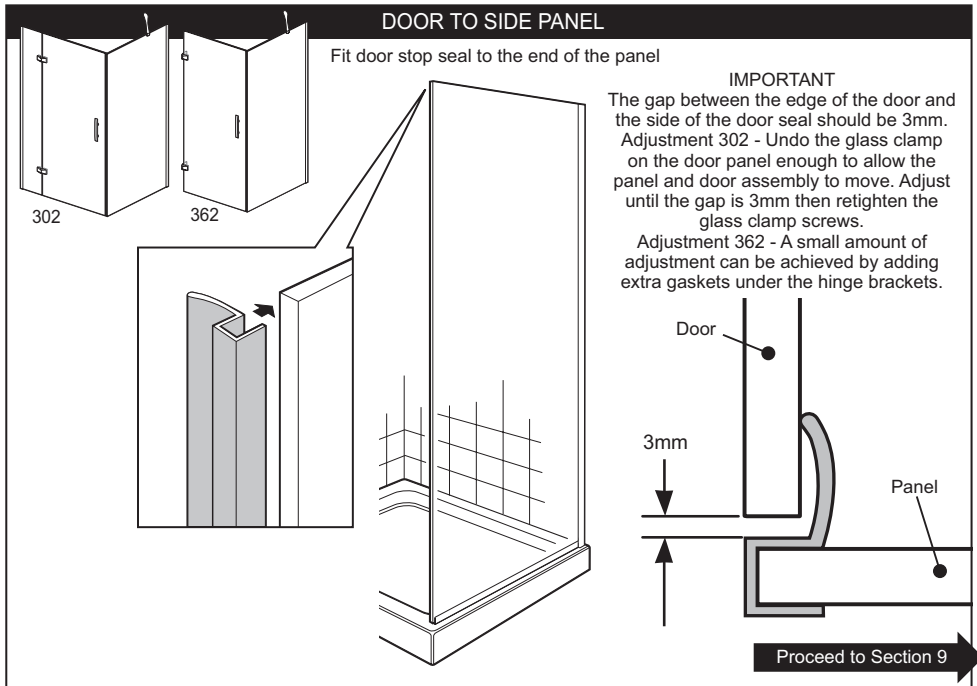
Proceed to Section 9

SECTION 8 • FITTING THE DOOR CLOSING SEAL

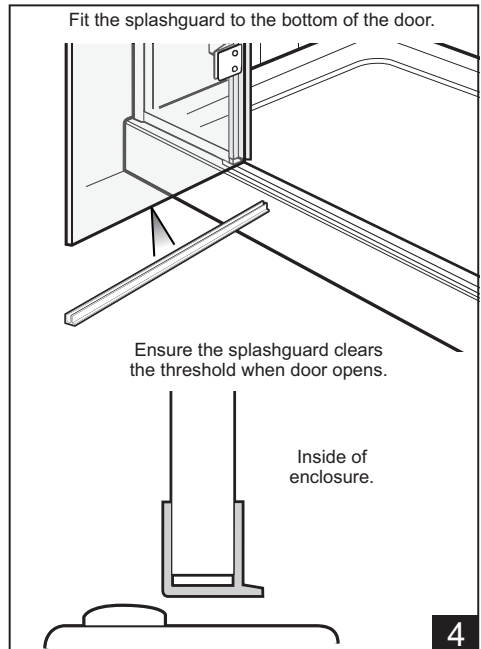
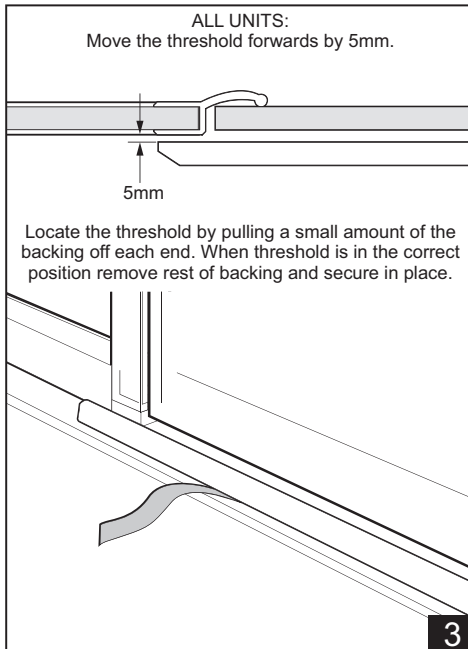
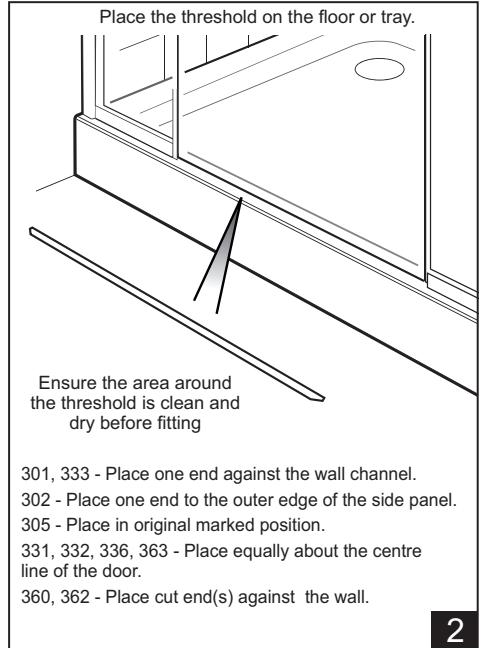
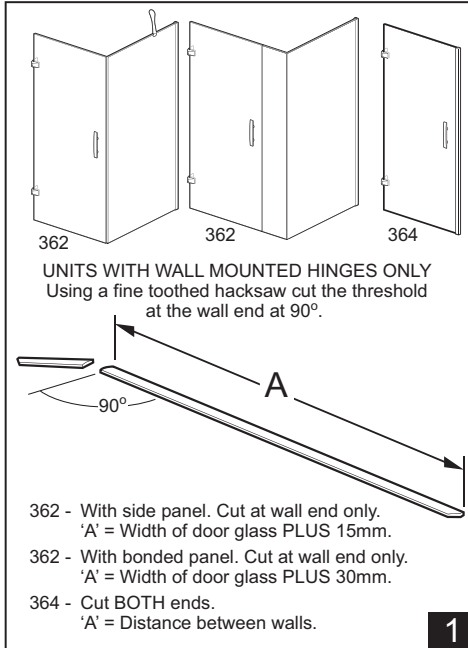
DOOR TO INLINE PANEL OR BONDED PANEL



DOOR TO SIDE PANEL

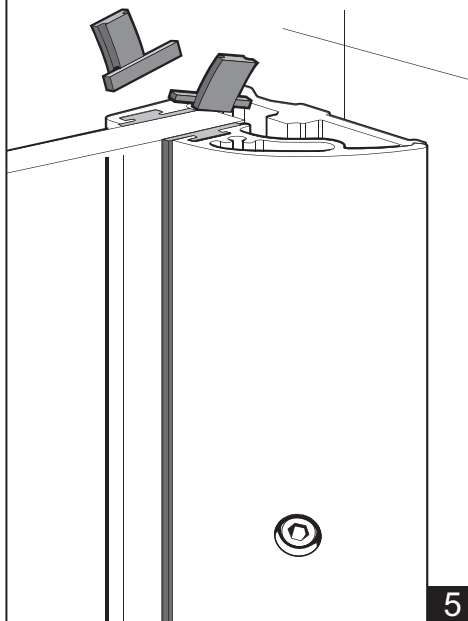


FINISHING OFF • ALL VERSIONS



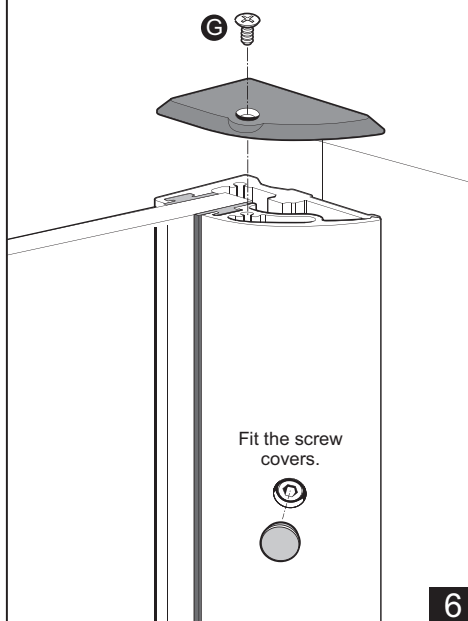
SECTION 9 • FINISHING OFF

STANDARD WALL CHANNELS:
Cut the seals exposed at top with a sharp knife.



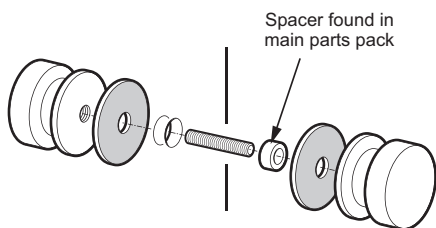
5

STANDARD WALL CHANNELS:
Fit the top caps.



6

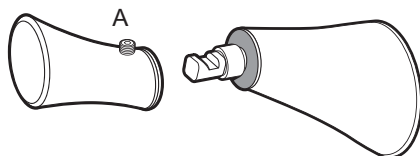
ROUND DOOR HANDLE



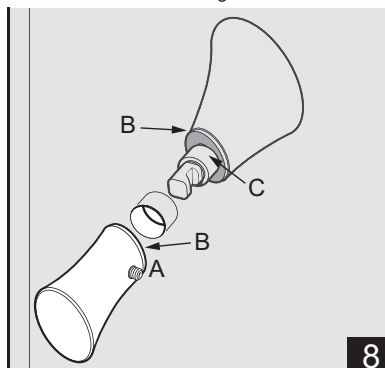
7

OBLIQUE DOOR HANDLE

Remove screw 'A' and then remove the inner handle.



Check that the 2 gaskets 'B' and the sleeve 'C' are in position. Fit the pin through the hole in the glass. Reattach the inner handle. Refit screw 'A', turn handle to the desired orientation and tighten the screw.

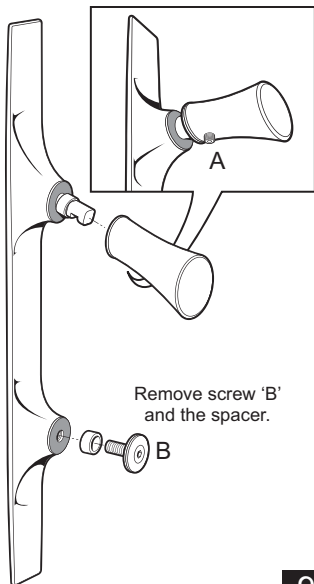


8

SECTION 9 • FINISHING OFF

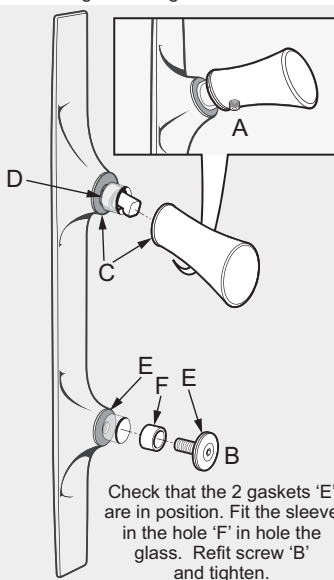
BOW DOOR HANDLE

Remove screw 'A' and then remove the inner handle.



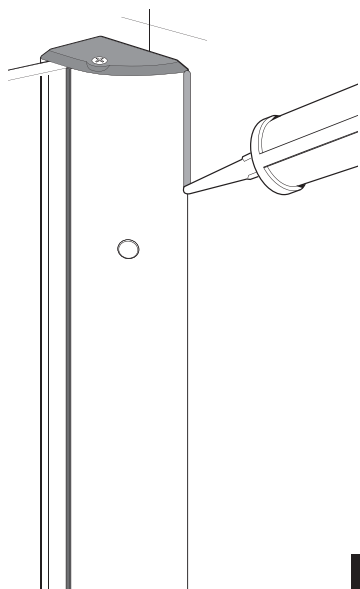
9

Check that the 2 gaskets 'C' and the sleeve 'D' are in position. Fit the pin through the hole in the glass. Reattach the inner handle. Refit and tighten screw 'A' ensuring it is facing downwards.



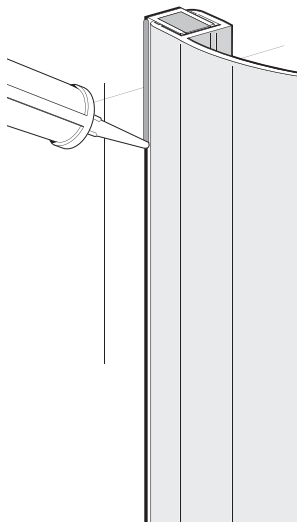
10

STANDARD WALL CHANNEL:
Seal between the wall channel and the wall.

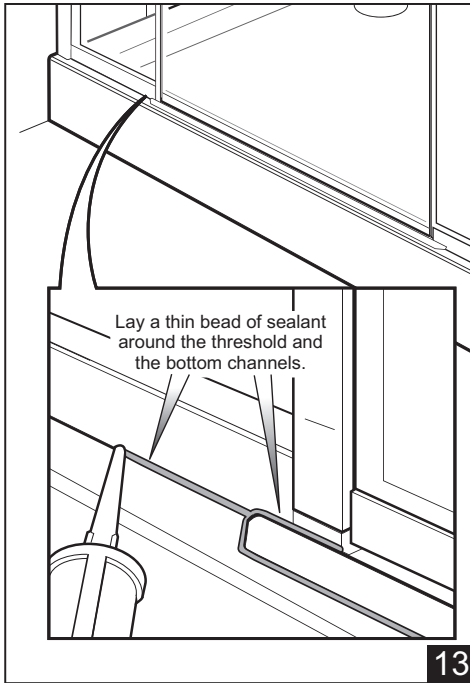


11

'U' SECTION WALL CHANNEL:
Seal between the wall channel and the wall.



12



MAINTENANCE

General Maintenance

Providing the shower enclosure has been correctly installed and is operated in accordance with the instructions contained in this guide, difficulties should not arise.

If any maintenance is required then it must be carried out by a competent tradesperson to whom the maintenance instructions are provided.

Before replacing any parts ensure the underlying cause of the malfunction has been resolved.

Cleaning

Warning! Many household cleaners contain abrasive and chemical substances and should not be used for cleaning painted, plated or plastic fittings.

These finishes should be cleaned with a mild washing up detergent or soap solution and then wiped dry using a soft cloth.

Care

To preserve the beauty of your shower enclosure for many years, please observe the following care instructions:

Rinse glass and frame with clear water after showering. Remove water droplets with a squeegee. Do not rub dry! To clean your shower hygienically and easily, we recommend the use of a biodegradable cleanser.

Regular cleansing with a biodegradable cleanser prevents stubborn stains and ensures a clean and hygienic surface for many years. Do not use scouring or caustic cleansers under any circumstances!

These can damage the surface of the frame, glass and decorative parts as well as the plastic parts.

Chrome Parts

Use only cleansers expressly specified for chrome!

NOTES

CUSTOMER SERVICE

Guarantee

Your enclosure has the benefit of our lifetime guarantee which starts from the date of purchase.

To activate this guarantee, you must return your completed registration card with a copy of proof of purchase from an approved Kohler retailer within 30 days of purchase.

This guarantee is in addition to your statutory rights and is subject to conditions (see registration card).

What to do if something goes wrong

If your product does not function correctly when you first use it, contact your installer to check that it is installed in accordance with the instructions in this manual.

If this does not resolve the issue, contact our Customer Services Team who will offer you or your installer help and advice.



Helpdesk Service

Our Customer Services Team is comprehensively trained and can offer help and advice, spare parts, accessories or a service visit.

We will need you to have your model name, model number and date of purchase.



KOHLER® Website (www.KOHLER.co.uk)

From our website you can download additional user guides or request a service visit.



Spares and Accessories

We hold the largest stocks of genuine Kohler spares and accessories.

Contact us for a price and to purchase spares or accessories.



Service / Repairs

No one knows our products better than our nationwide team of Service Technicians. We can carry out service or repair work to your product both during and after the guarantee period.

Ask about our fixed price service repairs.

To Contact Us: UK



0844 571 0048



Fax: 0844 571 7157



E-mail: info@kohler.co.uk

To Contact Us: Eire Only



0044 844 571 0048



Fax: 0044 844 571 7157

By Post:

Kohler Mira Limited
Customer Services Dept,
1 Penrose Place,
Skelmersdale,
WN8 9PR



Kohler Mira Limited, Cromwell Road, Cheltenham,
Gloucestershire, GL52 5EP, UK

13

EN 14428:2004 + A1: 2008

Kohler is a registered trade mark.
The company reserves the right to alter
product specifications without notice.

THE BOLD LOOK
OF **KOHLER**®